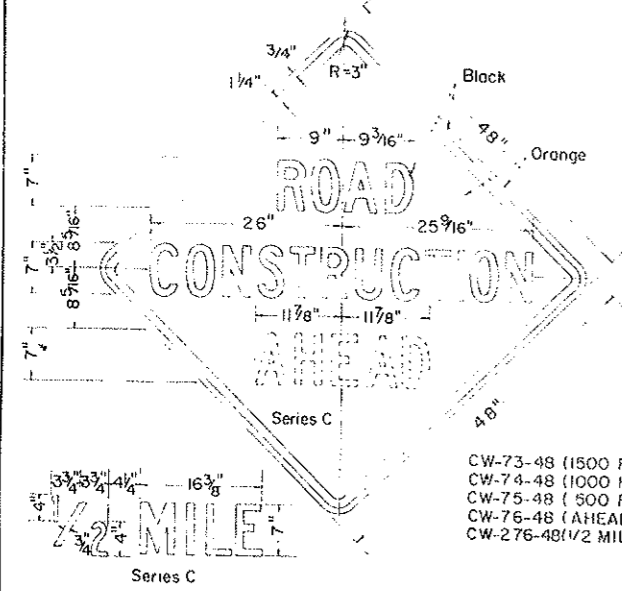


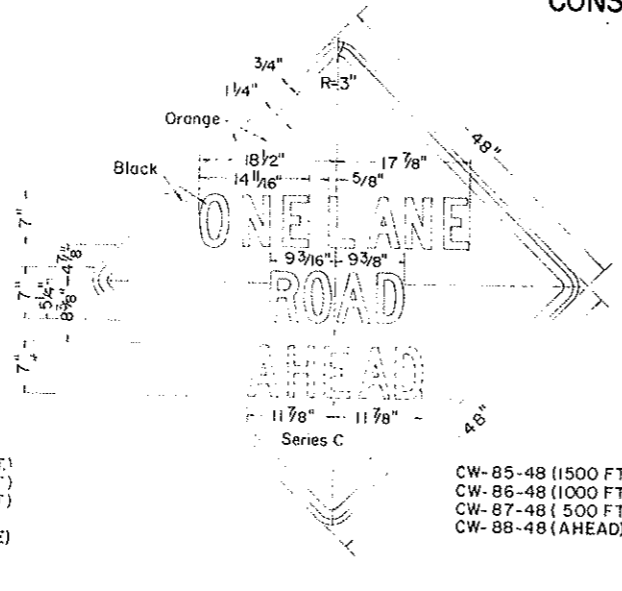
CONSTRUCTION SIGN DETAILS

FED. ROAD DIST. NO.	STATE	PROJ. NO.	FISCAL YEAR	CHECK NO.	STANDARD SYMBOL
8	N.D.				

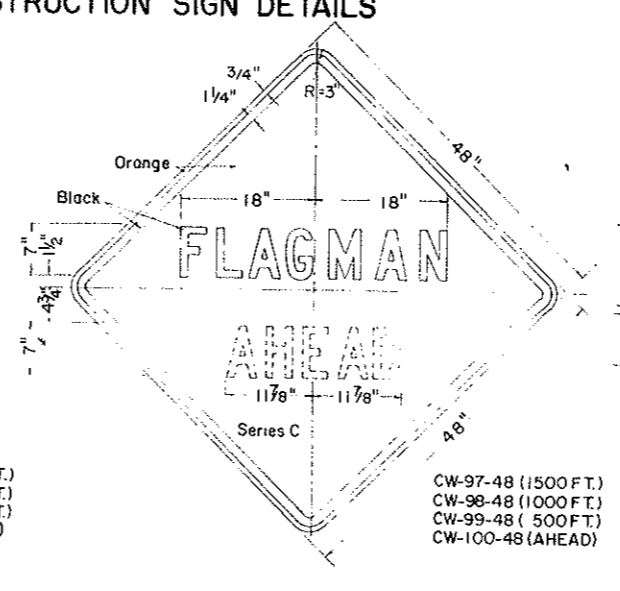
D-754-7I-2



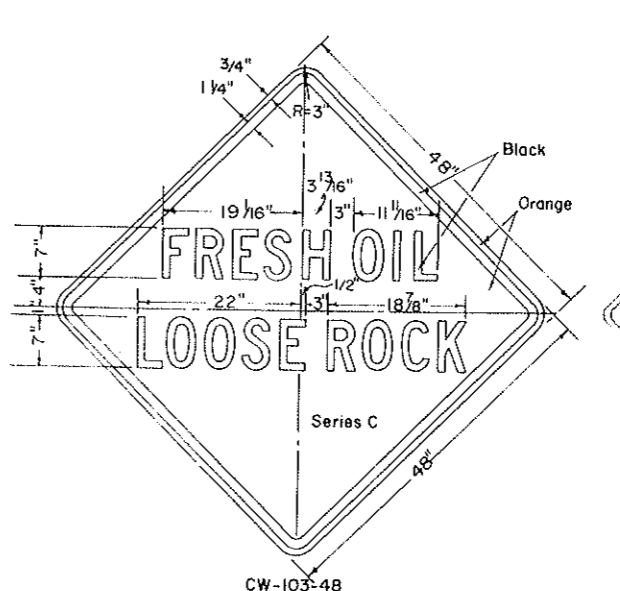
CW-73-48 (1500 FT.)  
 CW-74-48 (1000 FT.)  
 CW-75-48 (500 FT.)  
 CW-76-48 (AHEAD)  
 CW-276-48(1/2 MILE)



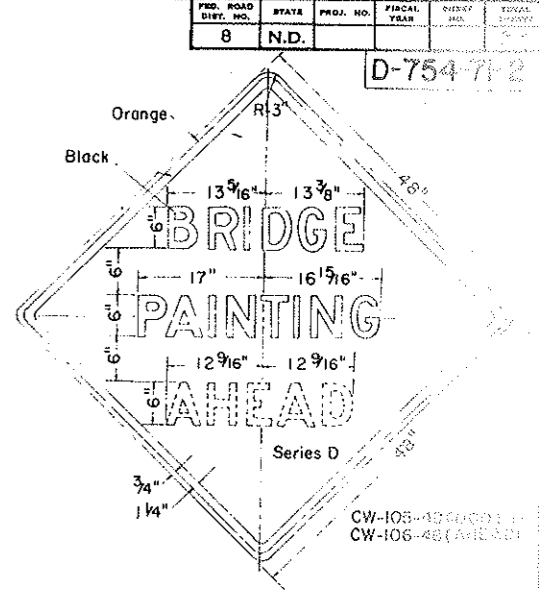
CW-85-48 (1500 FT.)  
 CW-86-48 (1000 FT.)  
 CW-87-48 (500 FT.)  
 CW-88-48 (AHEAD)



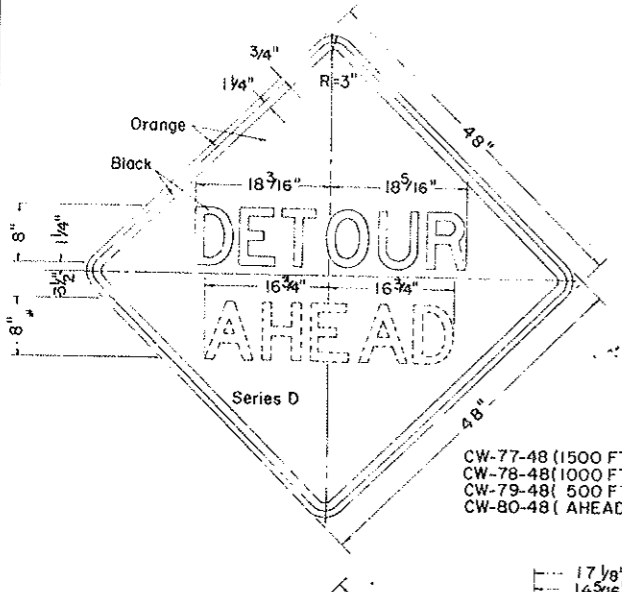
CW-97-48 (1500 FT.)  
 CW-98-48 (1000 FT.)  
 CW-99-48 (500 FT.)  
 CW-100-48 (AHEAD)



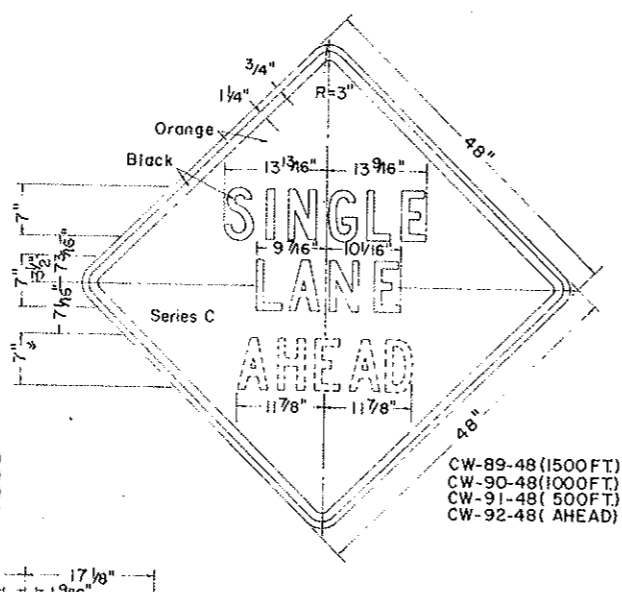
CW-103-48



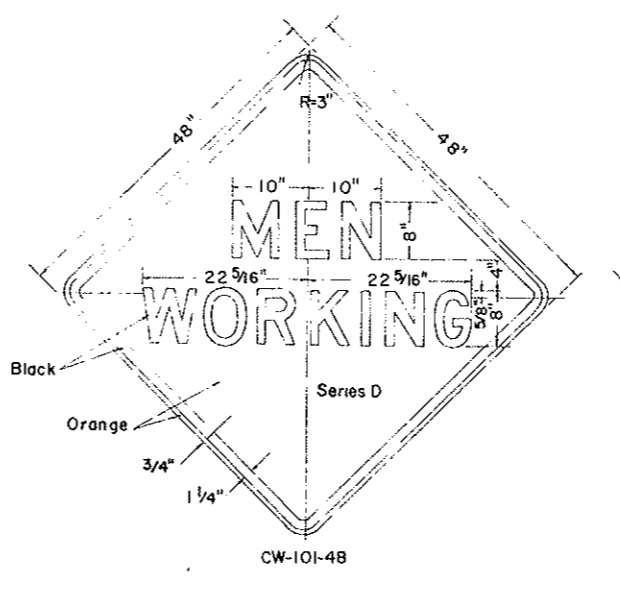
CW-105-48 (1500 FT.)  
 CW-106-48 (AHEAD)



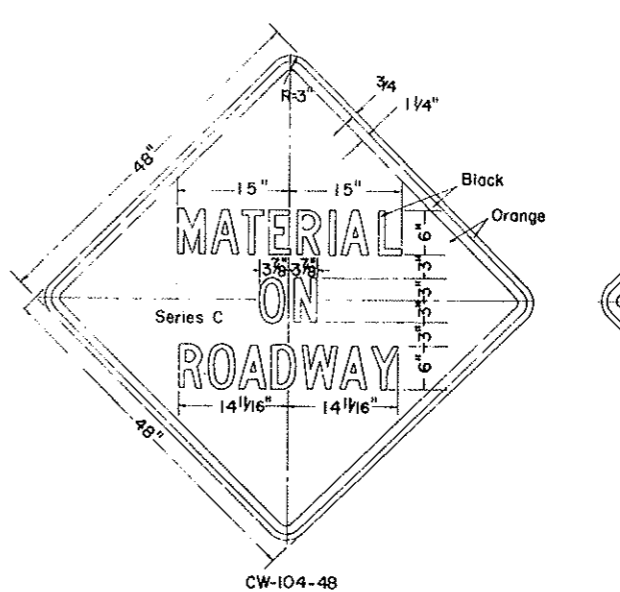
CW-77-48 (1500 FT.)  
 CW-78-48 (1000 FT.)  
 CW-79-48 (500 FT.)  
 CW-80-48 (AHEAD)



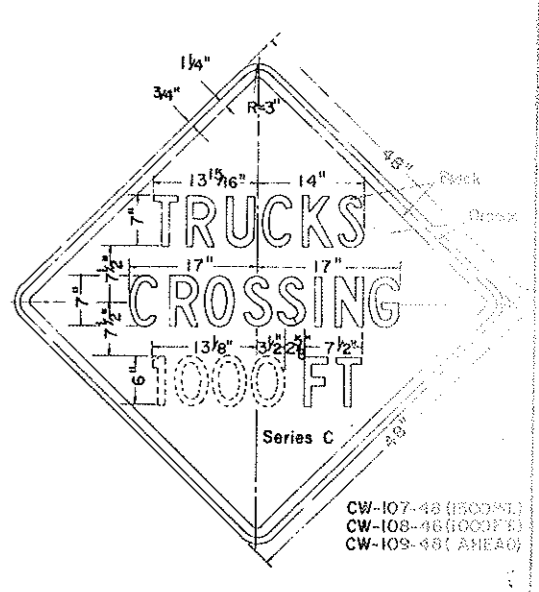
CW-89-48 (1500 FT.)  
 CW-90-48 (1000 FT.)  
 CW-91-48 (500 FT.)  
 CW-92-48 (AHEAD)



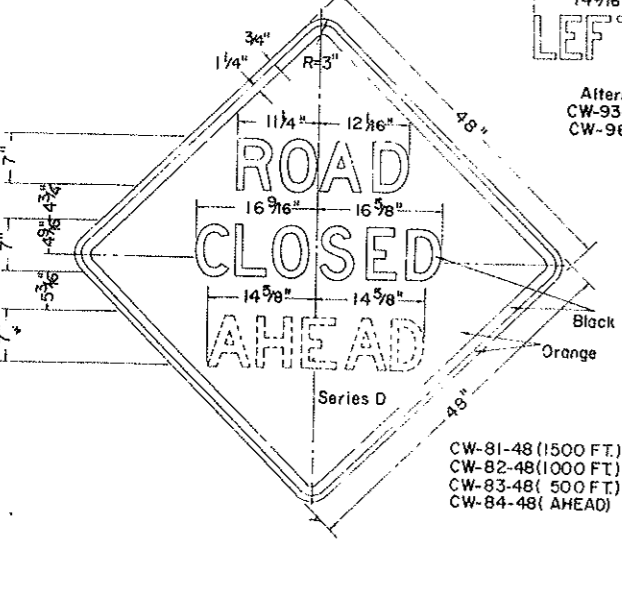
CW-101-48



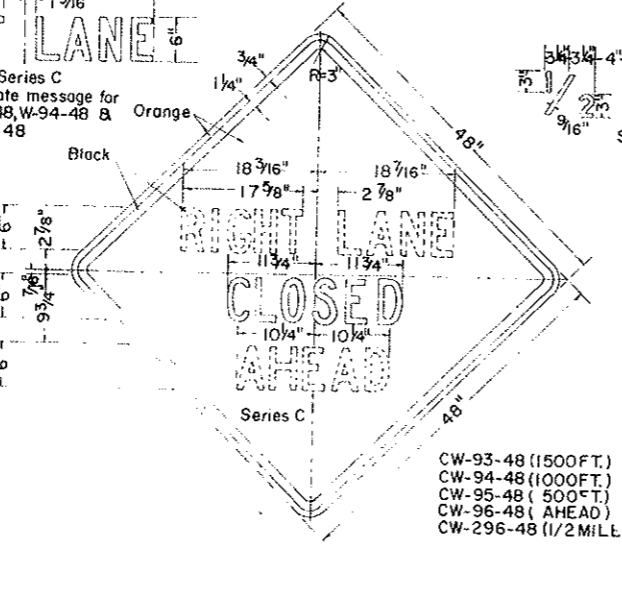
CW-104-48



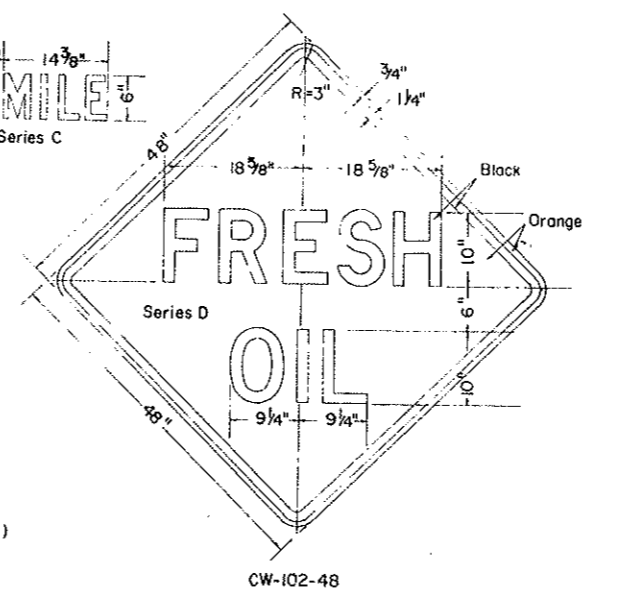
CW-107-48 (1500 FT.)  
 CW-108-48 (1000 FT.)  
 CW-109-48 (AHEAD)



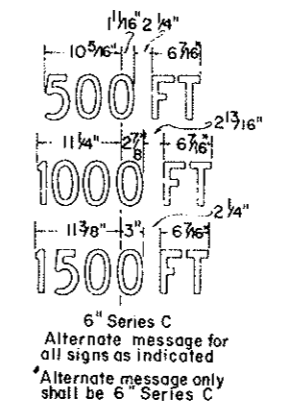
CW-81-48 (1500 FT.)  
 CW-82-48 (1000 FT.)  
 CW-83-48 (500 FT.)  
 CW-84-48 (AHEAD)



CW-93-48 (1500 FT.)  
 CW-94-48 (1000 FT.)  
 CW-95-48 (500 FT.)  
 CW-96-48 (AHEAD)  
 CW-296-48 (1/2 MILE)



CW-102-48

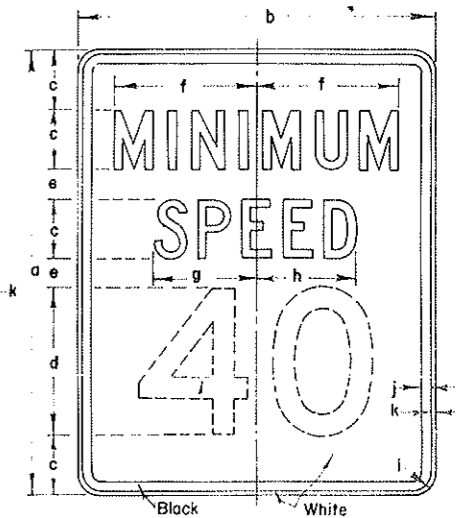
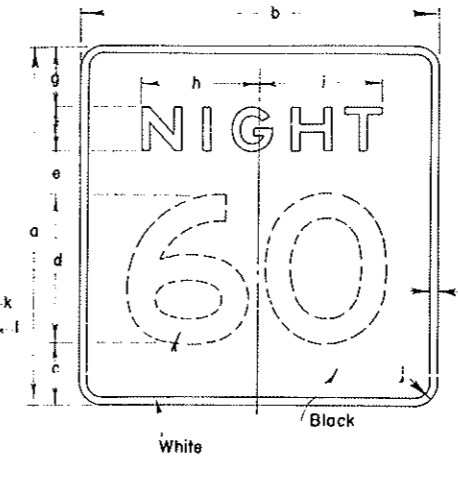
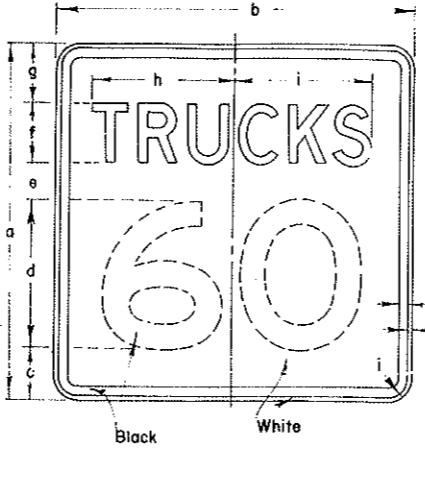
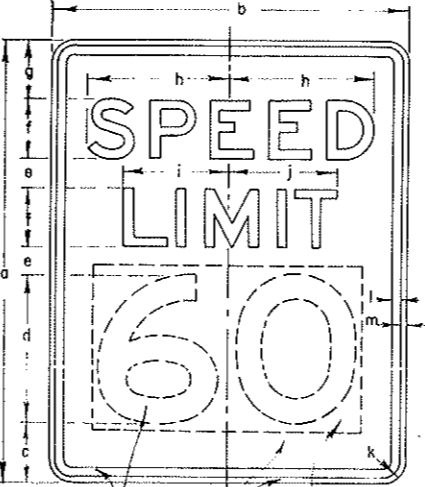
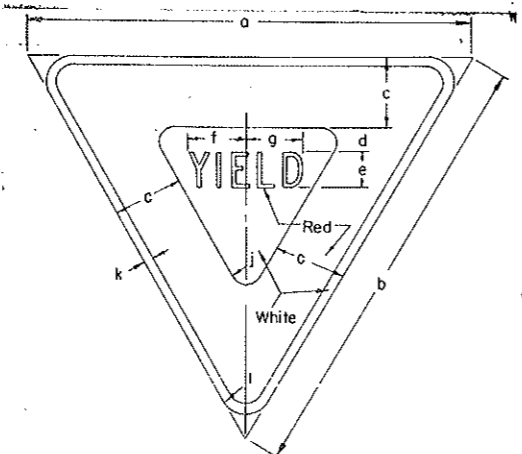
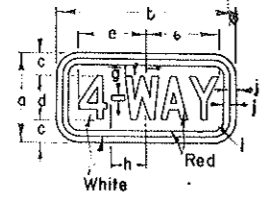
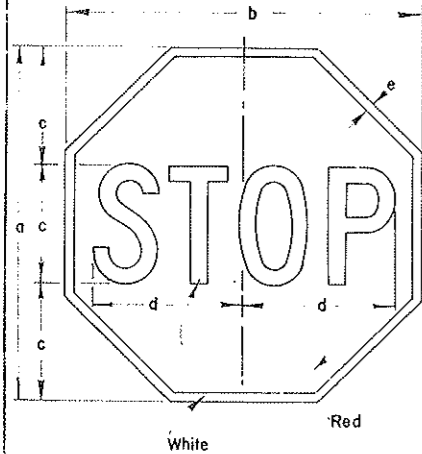


6" Series C  
 Alternate message for all signs as indicated  
 \*Alternate message only shall be 6" Series C

NOTE: All signs shall have reflectorized message, border and background, unless shown otherwise on the plans. In no case is the color block reflectorized.  
 Material: See Std. D-754-7I-5 for assembly details.

3-13-72		NORTH DAKOTA STATE HIGHWAY DEPARTMENT	
REVISIONS		Submitted: <i>R. Blomquist</i>	
DATE	CHANGE	Design Engineer	
3-7-75	Message on Construction Sign	Recommended: <i>W. J. ...</i>	
		Asst. Chief, Highway Planning	
		Approved: <i>W. J. ...</i>	
		Chief Engineer	

REGULATORY SIGNS  
FLAT SHEET SIGNS



SIGN NUMBER			
	R-1-48	R-1-36	R-1-30
a	48	36	30
b	48	36	30
c	16C	12C	10C
d	20 1/4	15 3/8	12 5/8
e	1 1/4	7/8	3/4
Area	13.25	7.46	5.18

SIGN NUMBER		
	R-2-24	R-2-12
a	12	6
b	24	12
c	3	1 1/2
d	6C	3C
e	9 3/4	4 7/8
f	2 3/4	1 3/8
g	27 3/32	27 6/4
h	10 1/2	5 1/4
i	3	1 1/2
j	3/4	3/8
Area	2.00	0.50

SIGN NUMBER			
	R-203-60	R-203-48	R-203-36
a	60	48	36
b	60	48	36
c	9	7 1/2	5 1/2
d	3	2 3/8	1 3/16
e	5C	4C	3C
f	7 3/8	5 15/16	4 7/16
g	7 3/16	5 27/32	4 3/8
j	2	1 3/8	1 3/16
k	1	3/4	1/2
l	4	2	1 1/2
Area	10.82	6.93	3.90

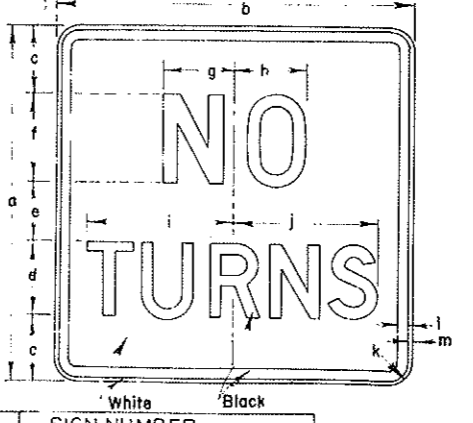
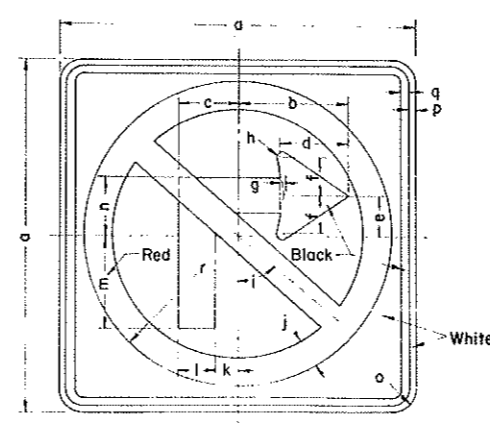
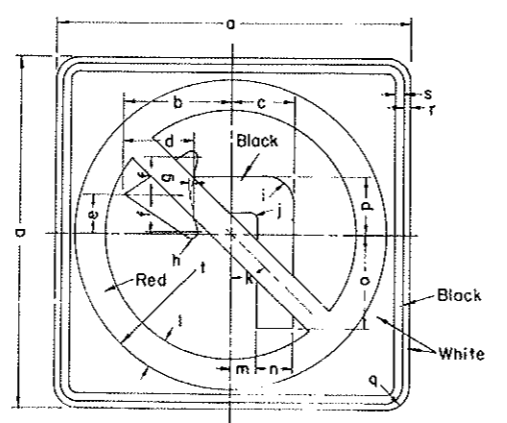
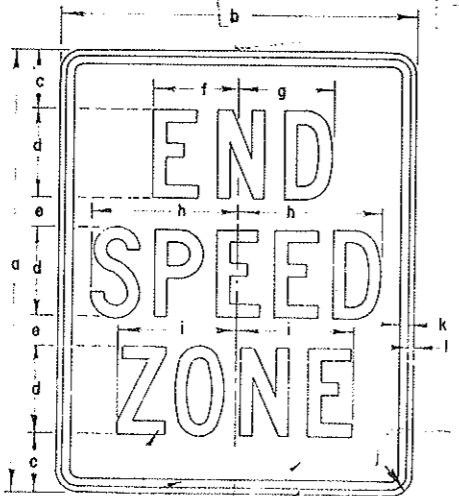
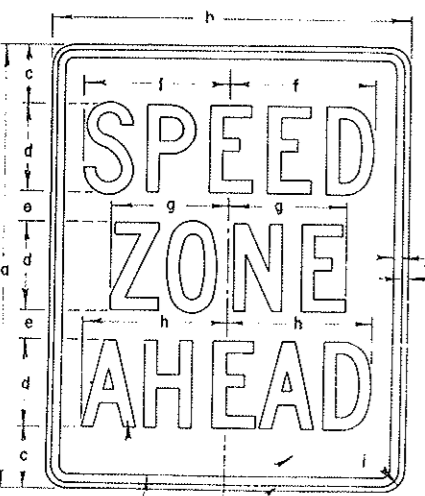
SIGN NUMBER											
	R-4-48	R-4-36	R-4-24	R-4-18	R-4-12	R-4-9	R-4-6	R-4-4	R-4-3	R-4-2	R-4-1
a	60	48	36	24	18	12	9	6	4	3	2
b	60	48	36	24	18	12	9	6	4	3	2
c	8	6	4	3	2	1 1/2	1	3/4	1/2	1/4	1/8
d	20E	16D	10E	8D	4E	3D	2E	1 1/2	1	3/8	1/4
e	4	3	2	1 1/2	1	3/4	1/2	1/4	1/8	1/16	1/32
f	8E	6D	4E	3D	2E	1 1/2	1	3/8	1/4	1/16	1/32
g	19 1/4	14 3/4	9 3/4	7 1/4	5 1/4	3 3/4	2 1/4	1 3/4	1 1/4	3/4	1/2
h	14 1/2	11 3/4	7 1/4	5 1/4	3 3/4	2 1/4	1 3/4	1 1/4	3/4	1/2	1/4
i	3	2 1/2	1 1/2	1	3/4	1/2	1/4	1/8	1/16	1/32	1/64
j	1 1/4	5/8	15/16	3/4	1/2	1/4	1/8	1/16	1/32	1/64	1/128
k	3/4	3/8	9/16	1/2	1/4	1/8	1/16	1/32	1/64	1/128	1/256
l	2.000	1.200	5.000	3.000	2.000	1.200	5.000	3.000	2.000	1.200	5.000
Area	16.00	4.00	9.00	4.00	2.00	1.00	0.50	0.25	0.125	0.0625	0.03125

\*\* NOTE: The numeral area shall have a non-reflectORIZED background as shown when used with Sign No. R-6-48, 36 or 24.

SIGN NUMBER			
	R-5-48	R-5-24	R-5-36
a	48	24	36
b	48	24	36
c	7	3 1/2	5 1/4
d	20E	10E	15E
e	5	2 1/2	3 3/4
f	8D	4D	6D
g	8	4	6
h	19 1/8	9 3/16	14 1/32
i	18 3/8	9 3/16	13 29/32
j	3	1 1/2	2 1/4
k	1 1/4	5/8	15/16
l	3/4	3/8	9/16
Area	16.00	4.00	9.00

SIGN NUMBER			
	R-6-48	R-6-24	R-6-36
a	48	24	36
b	48	24	36
c	8	4	6
d	20E	10E	15E
e	6	3	4 1/2
f	6F	3F	4 1/2 F
g	8	4	6
h	15 1/8	7 15/16	11 29/32
i	13 3/8	6 11/16	10 1/2
j	3	1 1/2	2 1/4
k	1 1/4	5/8	3/4
Area	16.00	4.00	9.00

SIGN NUMBER		
	R-7-48	R-7-24
a	60	30
b	48	24
c	8C	4C
d	20D	10D
e	4	2
f	19	9 1/2
g	13 7/8	6 15/16
h	13 3/8	6 11/16
i	3	1 1/2
j	1 1/4	5/8
k	3/4	3/8
Area	20.00	5.00



NOTE: See plans for correct message on all signs. All signs have reflectORIZED message, border and background unless shown otherwise on the plans. In no case is the color black reflectORIZED.

Square Metal and Wood Posts: See Std. D-754-69-11.3 thru 11.5 for assembly details.  
Round Metal Posts: See Std. D-754-71-9.1 thru 9.5 for assembly details.  
Perforated Telescoping Tubes; See Std. D-754-72-12.4 thru 12.6 for assembly details.

SIGN NUMBER			
	R-8-24	R-8-36	R-8-48
a	60	30	48
b	48	24	36
c	8	4	6
d	12C	6C	9C
e	4	2	3
f	19 1/2	9 3/4	14 5/8
g	15 3/4	7 7/8	11 1/16
h	19 1/2	9 3/4	14 5/8
i	3	1 1/2	2 1/4
j	1 1/4	5/8	15/16
k	3/4	3/8	9/16
Area	20.00	5.00	12.00

SIGN NUMBER			
	R-9-24	R-9-36	R-9-48
a	60	30	48
b	48	24	36
c	8	4	6
d	12C	6C	9C
e	4	2	3
f	11 1/2	5 3/4	8 5/8
g	12 1/2	6 1/4	9 3/8
h	19 1/2	9 3/4	14 5/8
i	15 3/4	7 7/8	11 1/16
j	3	1 1/2	2 1/4
k	1 1/4	5/8	15/16
l	3/4	3/8	9/16
Area	20.00	5.00	12.00

SIGN NUMBER			
	R-210-48	R-210-36	R-210-24
a	48	36	24
b	14 1/2	10 7/8	7 1/4
c	8 1/2	6 3/8	4 1/4
d	9 1/2	7 1/8	4 3/4
e	5 1/2	4 1/8	2 3/4
f	5 1/4	3 3/8	2 3/8
g	3 3/4	2 3/8	1 3/4
h	3 3/4	2 3/8	1 3/4
i	4	3	2
j	1 1/2	1 1/8	3/4

SIGN NUMBER			
	R-210-48	R-210-36	R-210-24
k	4 5°	4 5°	4 5°
l	4	3	2
m	3 1/2	2 3/8	1 3/4
n	5	3 3/4	2 1/2
o	12 1/2	9 3/8	6 1/4
p	8	6	4
q	3	2 1/4	1 1/2
r	3/4	5/8	3/8
s	1 1/4	1	5/8
t	2 1/2	1 5/4	1 1/2

SIGN NUMBER			
	R-211-48	R-211-36	R-211-24
a	48	36	24
b	14 1/2	10 7/8	7 1/4
c	8 1/2	6 3/8	4 1/4
d	9 1/2	7 1/8	4 3/4
e	5 1/2	4 1/8	2 3/4
f	5 1/4	3 3/8	2 3/8
g	3 3/4	2 3/8	1 3/4
h	3 3/4	2 3/8	1 3/4
i	4 5°	4 5°	4 5°

SIGN NUMBER			
	R-211-48	R-211-36	R-211-24
j	4	3	2
k	3 1/2	2 3/8	1 3/4
l	5	3 3/4	2 1/2
m	12 1/2	9 3/8	6 1/4
n	8	6	4
o	3	2 1/4	1 1/2
p	3/4	5/8	3/8
q	1 1/4	1	5/8
r	2 1/2	1 5/4	1 1/2
Area	16.00	4.00	9.00

REVISIONS	
DATE	CHANGE
4/24/72	NOTES
8-17-72	Sign Dimension
9-29-72	Changed Note
10-27-72	Sign Dimension

NORTH DAKOTA  
STATE HIGHWAY DEPARTMENT  
Submitted: *R. B. ...*  
Design Engineer  
Recommended: *R. B. ...*  
Asst. Chief Engineer, Pre-Const.  
Approved: *R. B. ...*  
Chief Engineer