

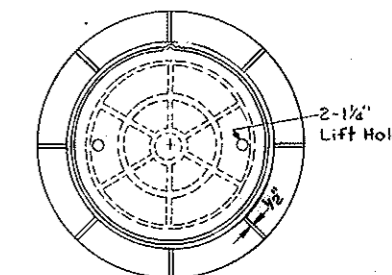
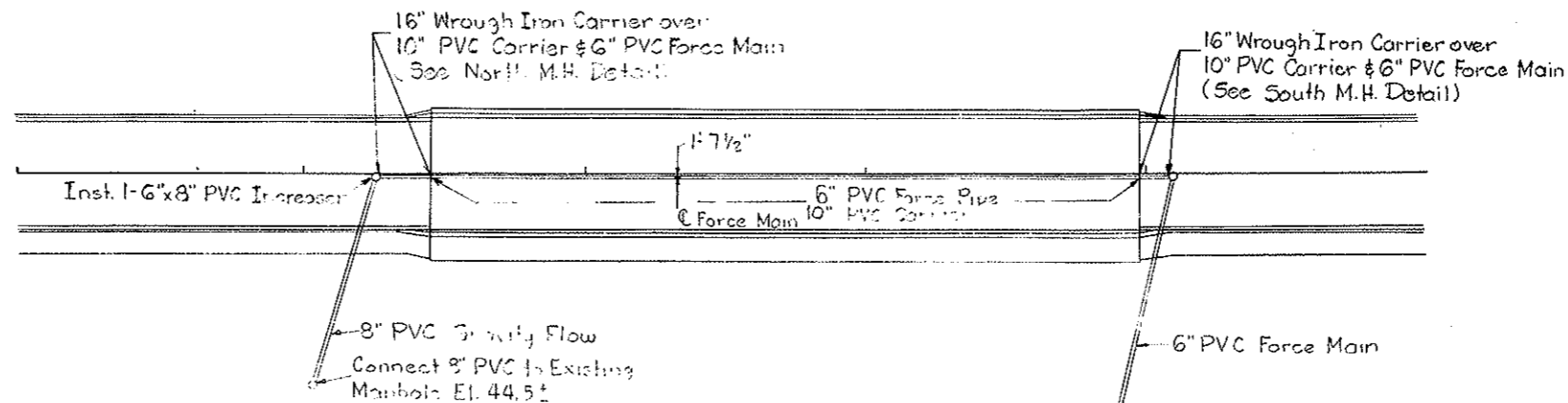
* State & Federal Funds

* 15860 lbs. the weight of the Steel Hangers and Couplers is included in the item "Structural Steel A36 Welded Girder" on the layout sheet drawing number 1806-69.93. The Anchor Rods, Styrofoam Seal, Gaskets, and Bulkheads, and the installation of the Steel Hangers shall be considered incidental to the Structural Steel item above.

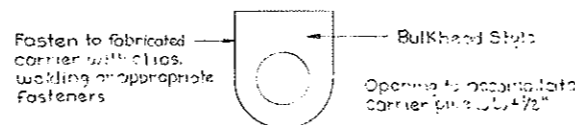
QUANTITIES (City of Mandan Funds)

6" Pressure PVC Sewer Pipe	404 L.F.
8" PVC Sewer Pipe	76 L.F.
10" PVC Sewer Pipe	303 L.F.
15" PVC Sewer Pipe	8 L.F.
Manholes Type A	2 Each
Manhole Riser 48"	17 L.F.

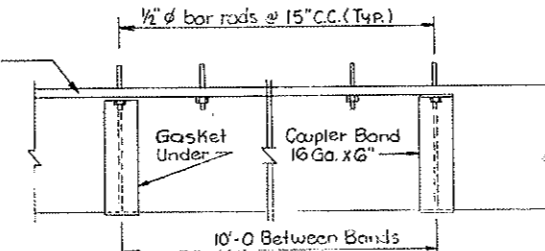
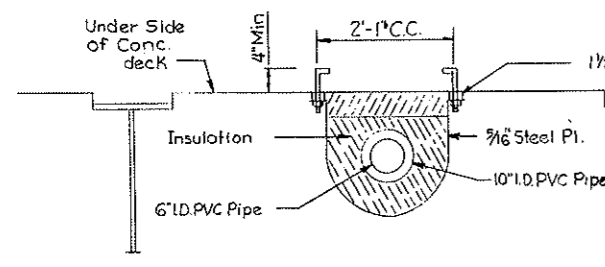
NOTE:
All PVC Bends, Tee's, Increases, and Jointing Material necessary for installation of the Force-Main shall be included in the price bid for non participating items. (City of Mandan Funds)



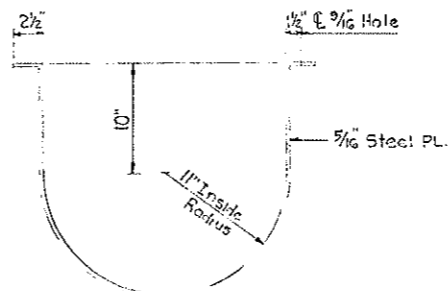
The manhole cover shall be held in place with 4 Each 1/2" Brass Flathead Stud Screws. Slotted & Capable of removal with large blade screw driver



Lift Station - End 6" PVC Force Main 5' East of Lift Sta. Elev. to be determined in the field.

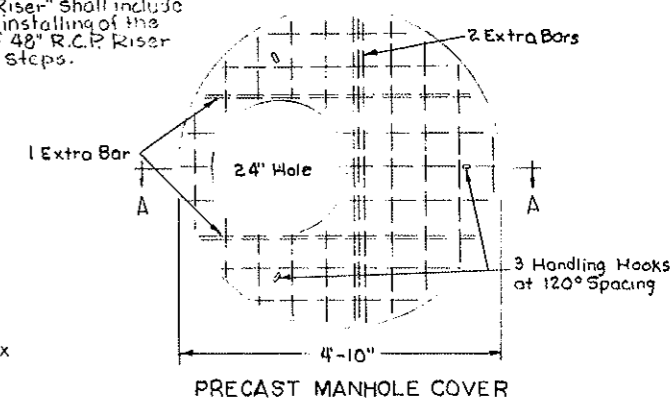


ELEV.

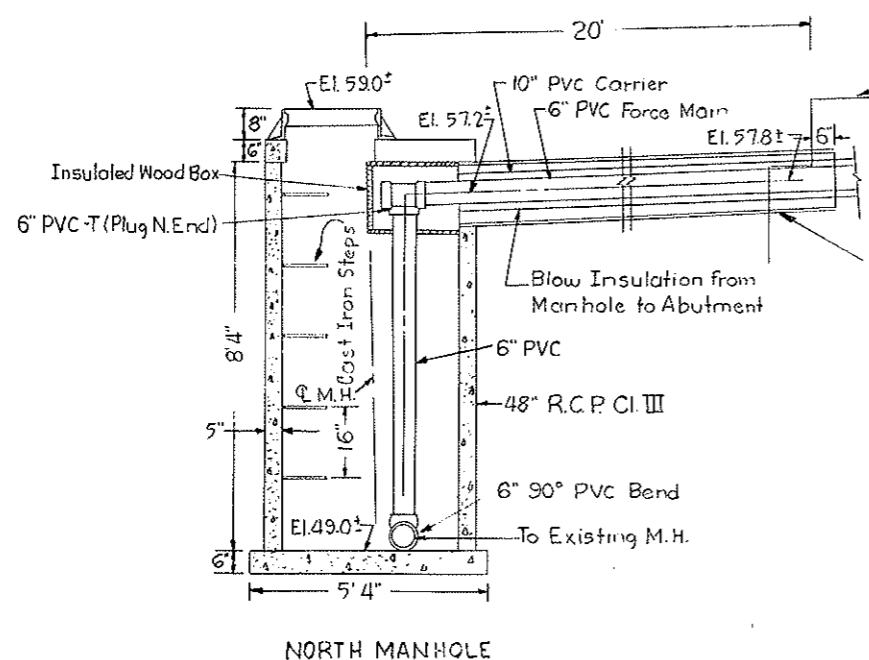


MANHOLE CAST IRON RING & COVER

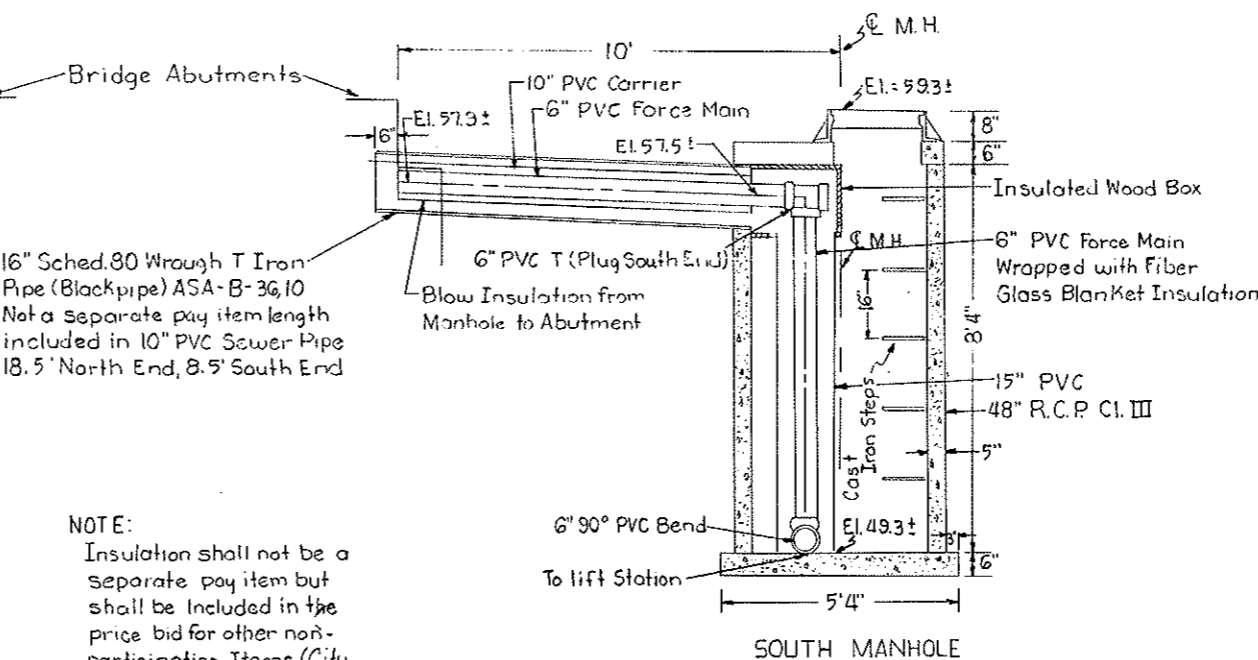
Note: Method of Measurement for Manholes shall be as follows. The Contract unit Price Bid for Manholes shall include the Furnishing and installing of the following:
1. Cast Iron Ring and Cover
2. Precast Cover
3. Concrete Base
The item "Manhole Riser" shall include the Furnishing and installing of the Required Length of 48" R.C.P. Riser and the Cast Iron Steps.



PRECAST MANHOLE COVER

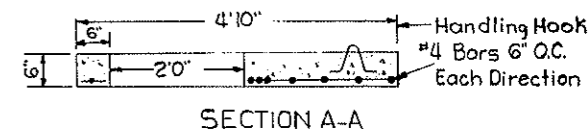


NORTH MANHOLE



SOUTH MANHOLE

NOTE:
Insulation shall not be a separate pay item but shall be included in the price bid for other non-participating items. (City of Mandan Funds)



SECTION A-A