

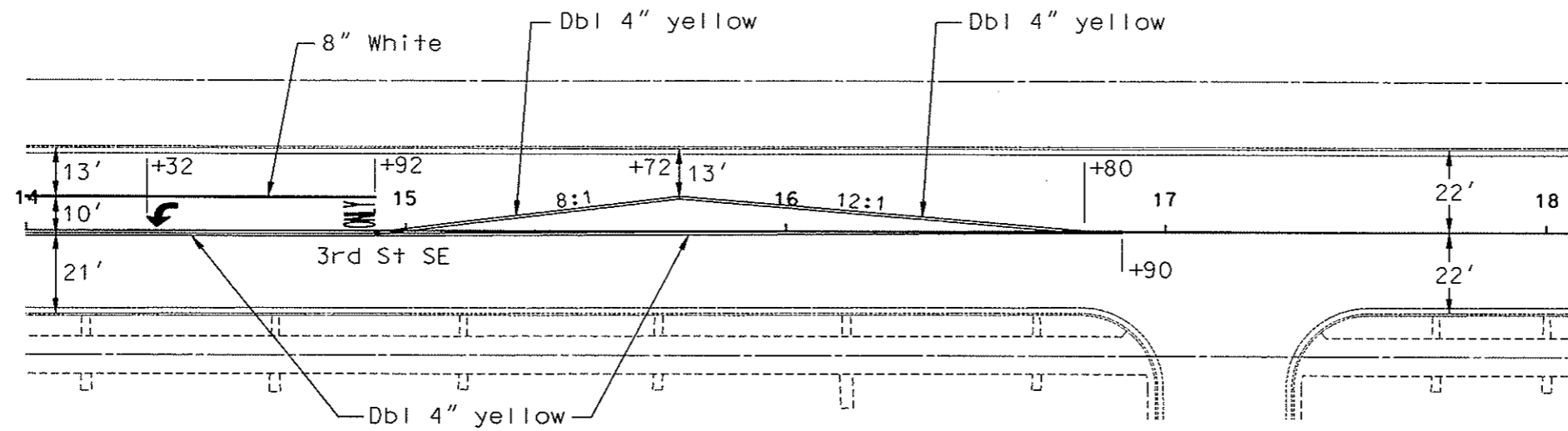
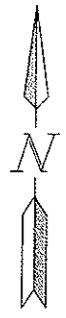
Preformed patterned pavement marking 4" line
 Double 4" yellow barrier line (4" between) 652 LF

Preformed patterned pavement marking 8" line
 8" White channel line 89 LF

Preformed patterned pavement marking message
 Left arrow 15 SF
 Only 22 SF
 Total 37 SF

Pavement marking layout
 6th Av SE (ND 1806) &
 3rd St SE
 Mandan, ND

EHWA REGION	STATE	PROJECT NO.	SHEET NO.
8	ND	HEU-1-806(032)069	36



Preformed patterned pavement marking 4" line
 Double 4" yellow barrier line (4" between) 958 LF

Preformed patterned pavement marking 8" line
 8" White channel line 92 LF

Preformed patterned pavement marking message
 Left arrow 15 SF
 Only 22 SF
 Total 37 SF

Pavement marking layout

6th Av SE (ND 1806) &
 3rd St SE
 Mandan, ND