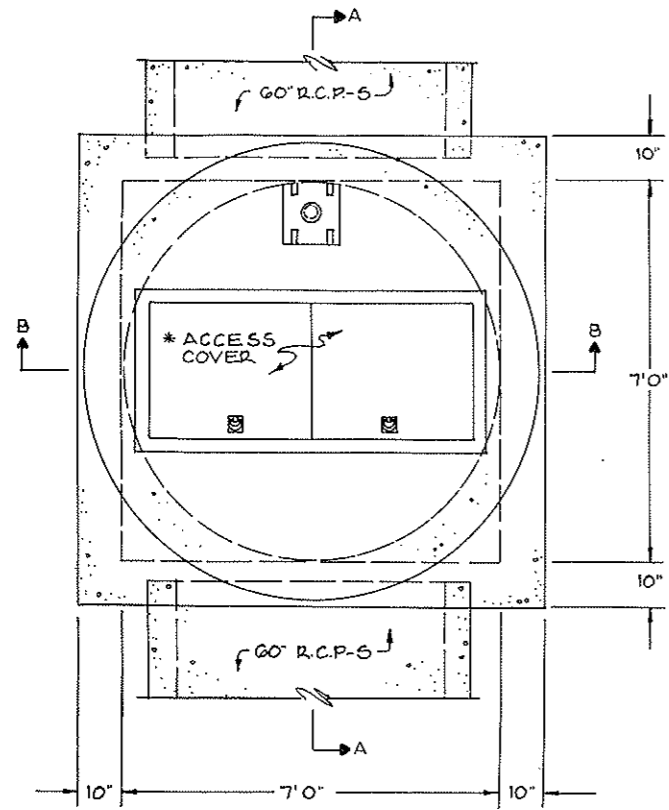
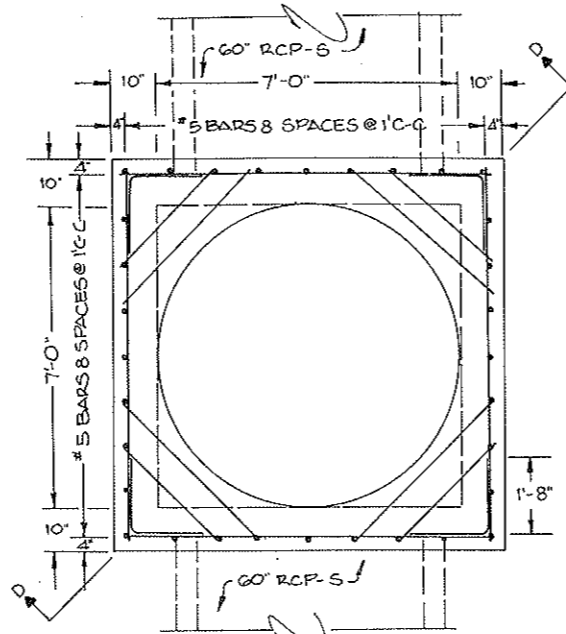


60" X 60" SLUICE GATE MANHOLE

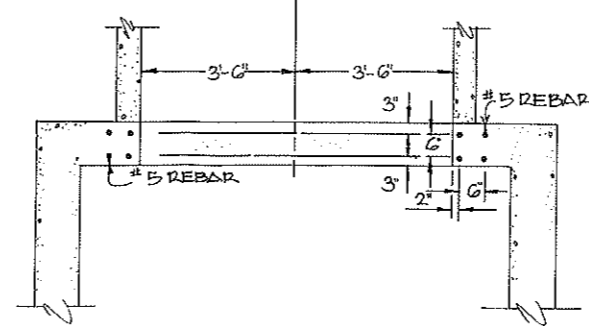
FHWA REGION	STATE	FED. AID PROJ. NO.	SHEET NO.
8	N.D.	171 299(10) 101	17



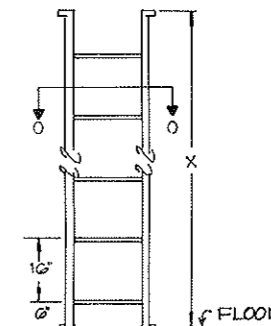
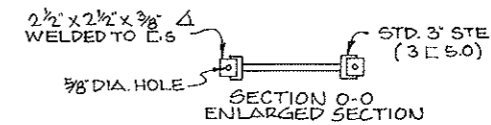
TOP VIEW



SEC C-C



SECTION D-D



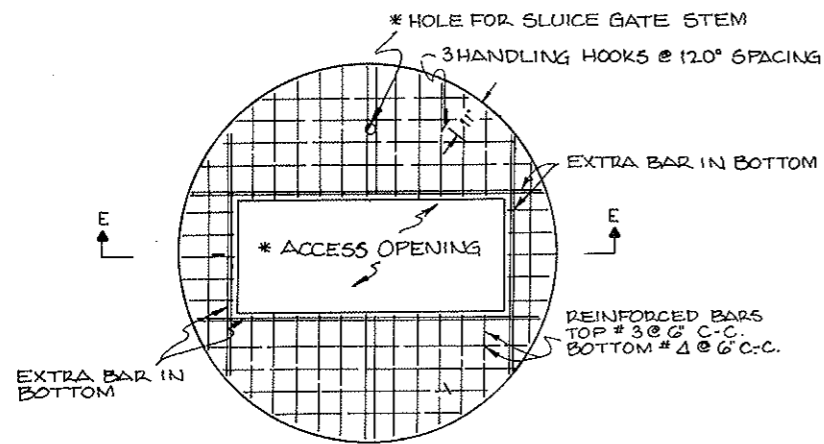
LADDER DETAIL

NOTES:
 THE FOLLOWING DETAILS SHALL BE DETERMINED BY THE MANUFACTURER OF THE SLUICE GATE.
 1. SIZE AND TYPE OF LIFT.
 2. STEM SIZE AND LOCATION OF THE HOLE IN THE COVER FOR THE STEM.
 3. DIMENSIONS OF ACCESS COVER AND OPENING.

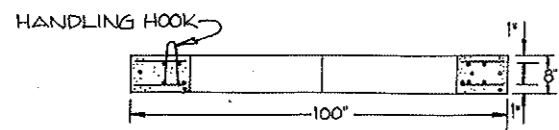
CLEARANCES ARE 3" EXCEPT WHERE LISTED OTHERWISE.
 ALL REINFORCING STEEL SHALL BE LAPPED 40 BAR DIAMETERS.

NOTE: USE 5/8 GALV. LAG BOLTS 3 1/2" LONG TO ANCHOR LADDER TO FLOOR & CEILING.

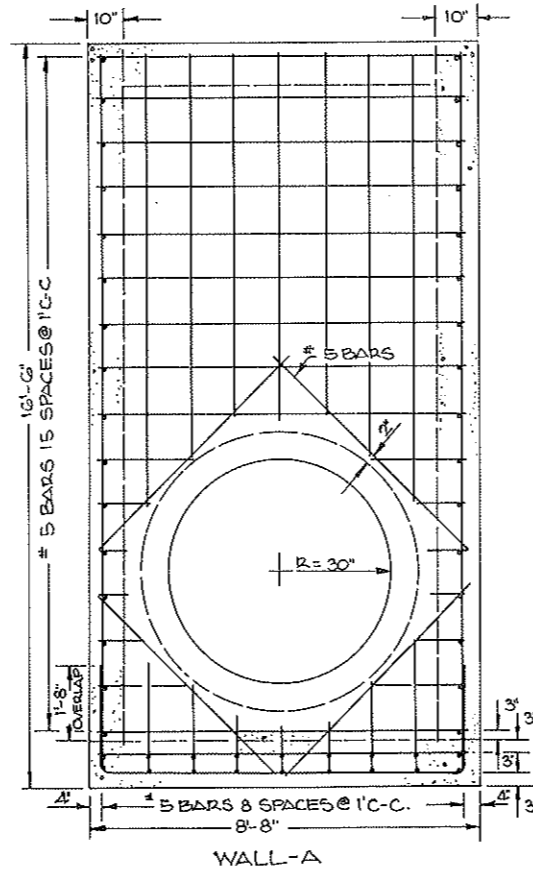
RINGS 3/8" DIA. BAR SET INTO HOLES IN STRINGER @ 16" ON CENTERS AND WELDED IN PLACE.



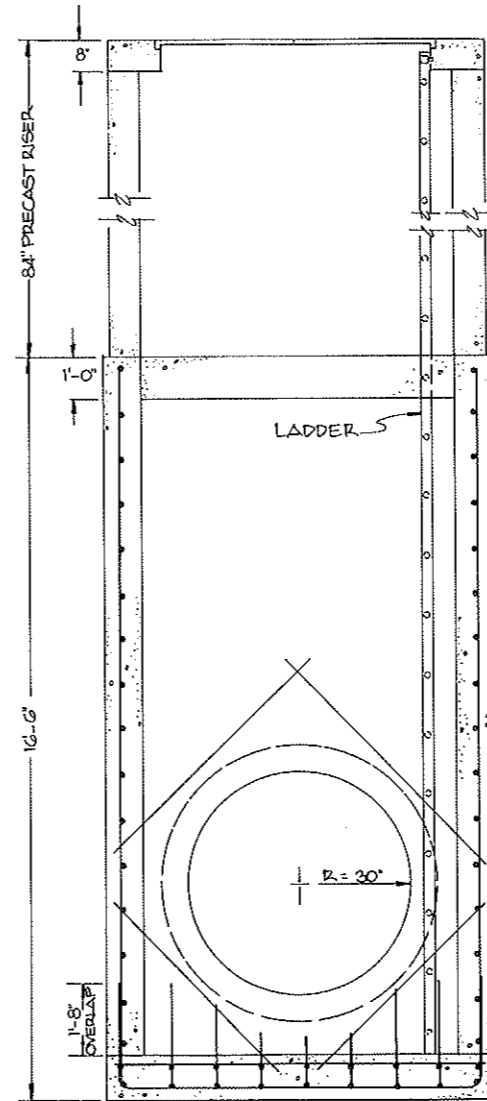
PRECAST COVER



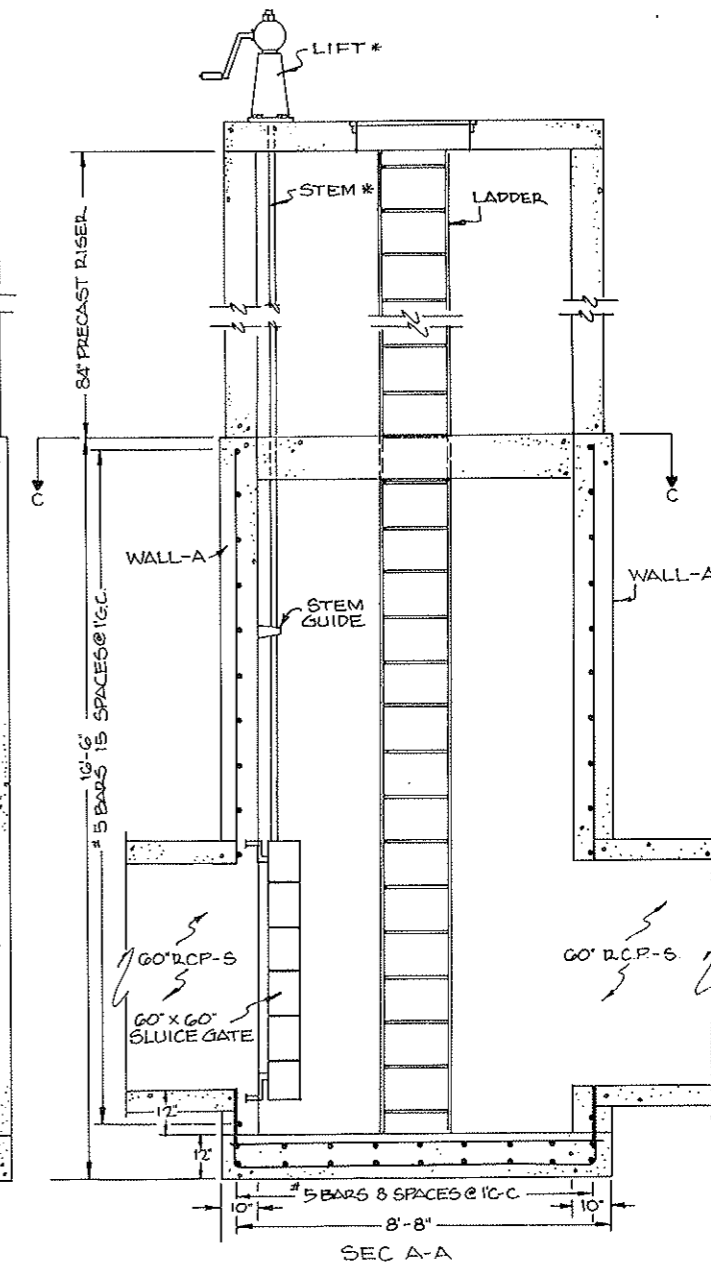
SEC. E-E



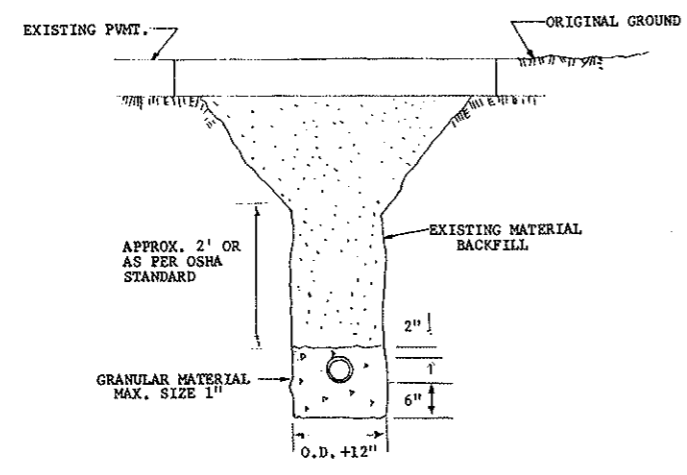
WALL-A



SEC. B-B

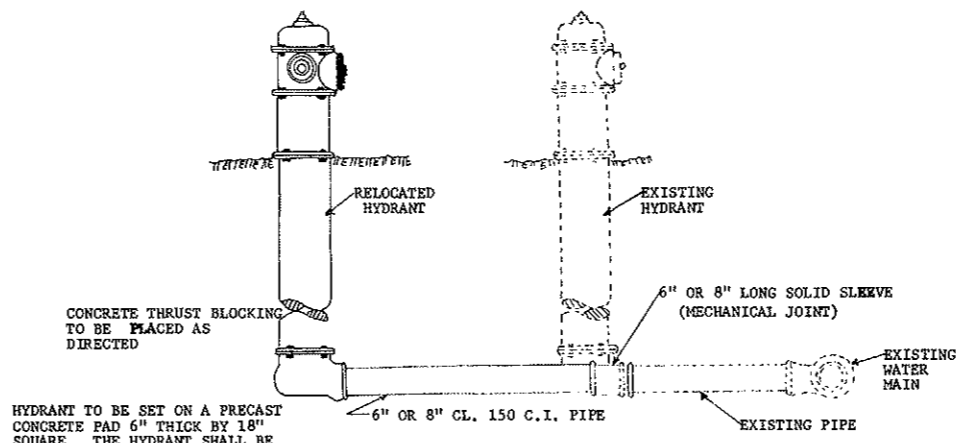


SEC. A-A



MATERIAL EXCAVATED FROM TRENCH SHALL BE USED AS BACKFILL MATERIAL FROM 2" ABOVE PIPE TO SUBGRADE.

SEWER & WATERMAIN BEDDING & BACKFILL SECTION



HYDRANT TO BE SET ON A PRECAST CONCRETE PAD 6" THICK BY 18" SQUARE. THE HYDRANT SHALL BE SURROUNDED BY 1/2 C.Y. COURSE CONCRETE AGGREGATE

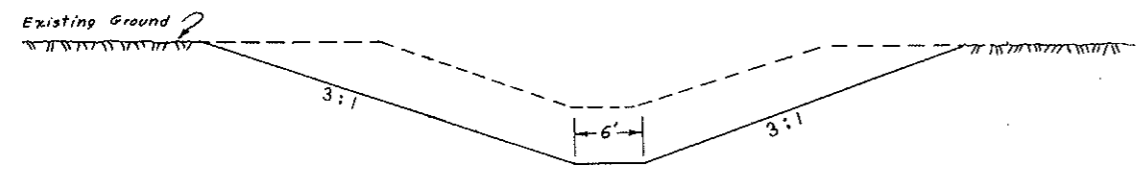
TYPICAL LAYOUT FOR RELOCATION OF HYDRANTS

TYPICAL SEQUENCE OF INSTALLATION:

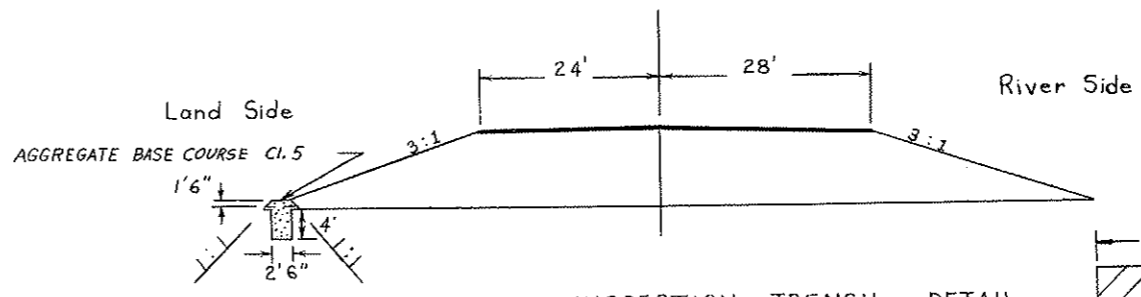
1. REMOVE EXISTING HYDRANT.
2. INSTALL LONG SOLID SLEEVE MECH. JOINT, CL. 150 C.I.P.
3. INSTALL 6" OR 8" CLASS 150 C.I. PIPE (LENGTH AS NEEDED).
4. INSTALL SALVAGED HYDRANT AT NEW LOCATION.

ALL MATERIALS NECESSARY FOR THE RELOCATION OF THE HYDRANT TO BE INCLUDED IN PRICE BID FOR "RELOCATE HYDRANT".

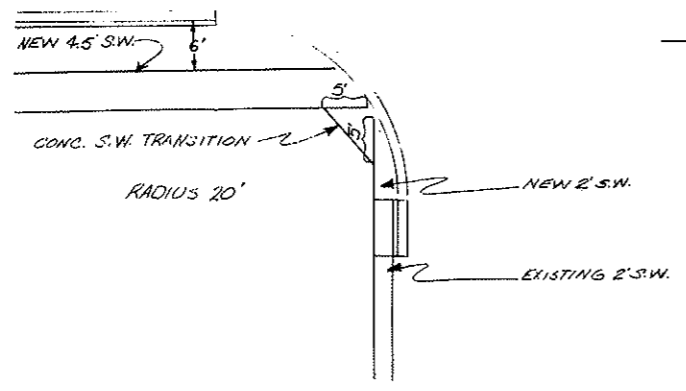
EXISTING WATER MAIN VALVE TO BE ADJUSTED AS NECESSARY AND PAID FOR AS "ADJUST UTILITY APPURTENANCES".



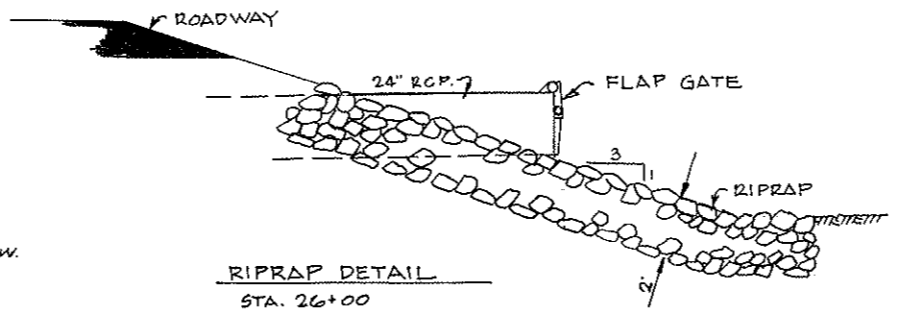
STORM SEWER OUTFALL DITCH - TYPICAL SECTION



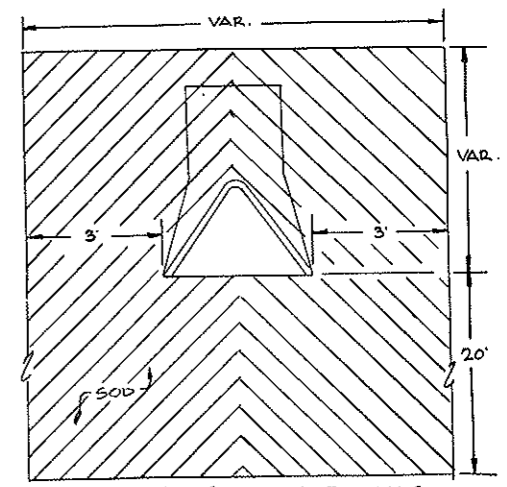
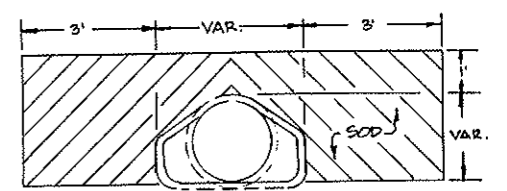
INSPECTION TRENCH DETAIL Sta. 17+50 To 24+00



CURB & SIDEWALK DETAIL



RIPRAP DETAIL STA. 26+00



TYPICAL SODDING DETAILS FOR CULVERT ENDS