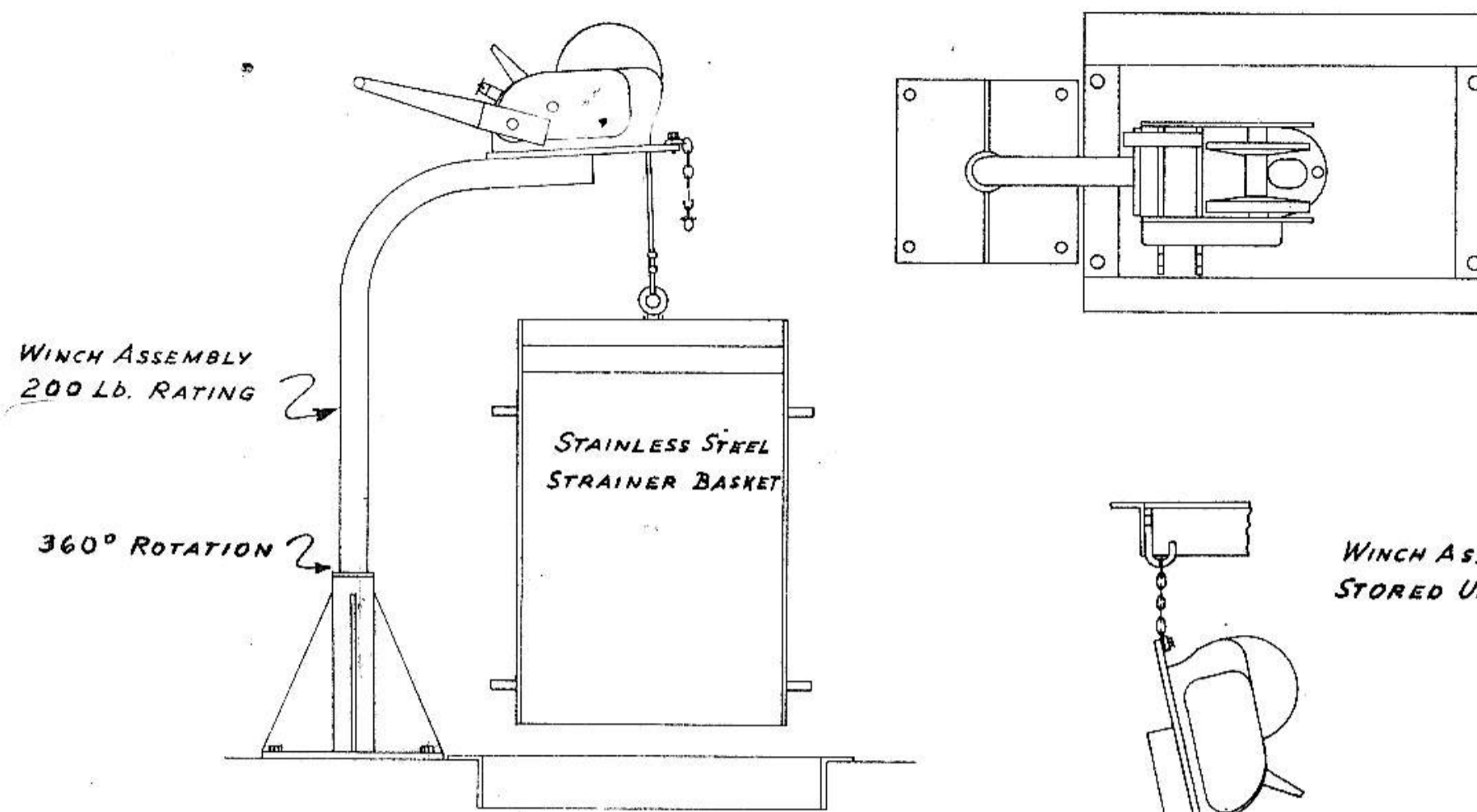


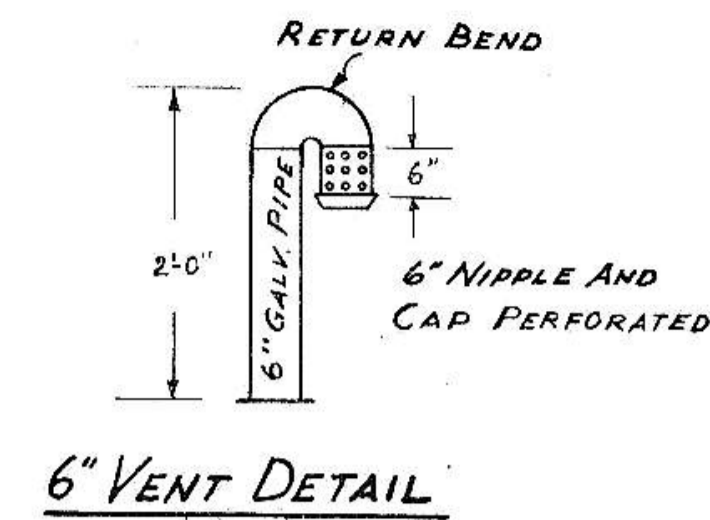
**PLAN VIEW**  
No SCALE

NOTE: DIMENSION FOR PUMP BASE PLATE TO BE FURNISHED BY SUPPLIER

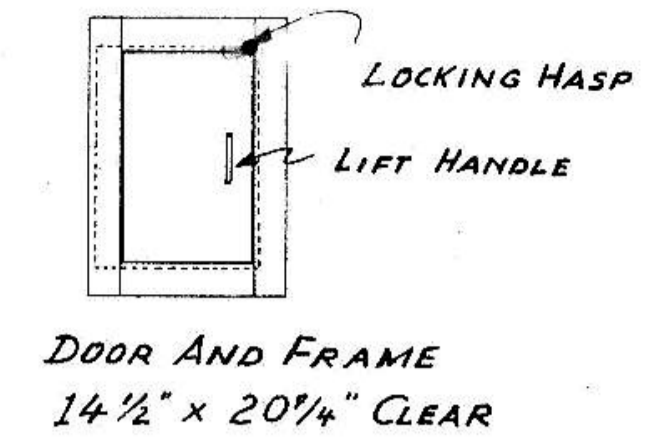
- CHECK VALVE
- GATE VALVE



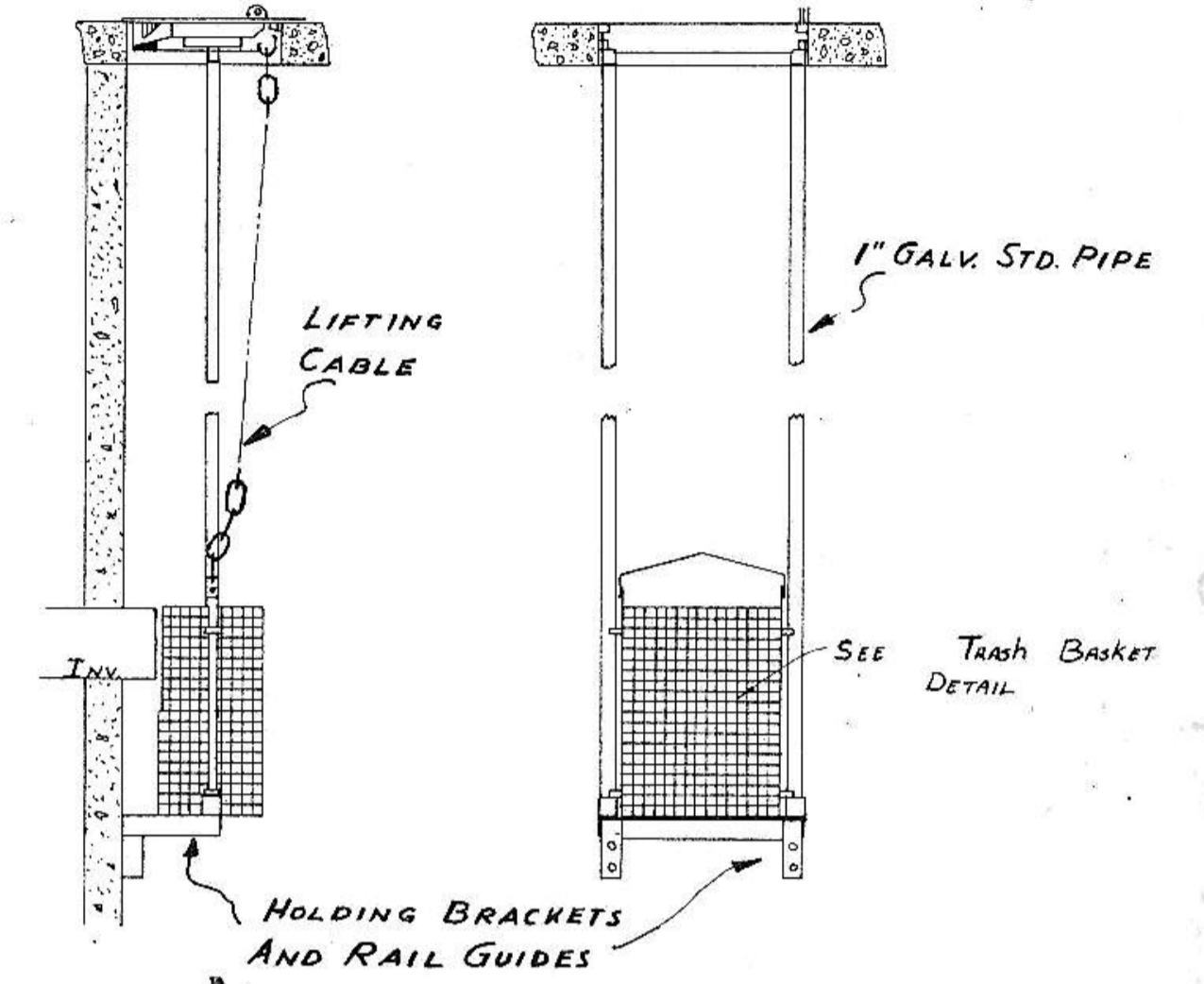
**BASKET WINCH DETAIL**  
No SCALE



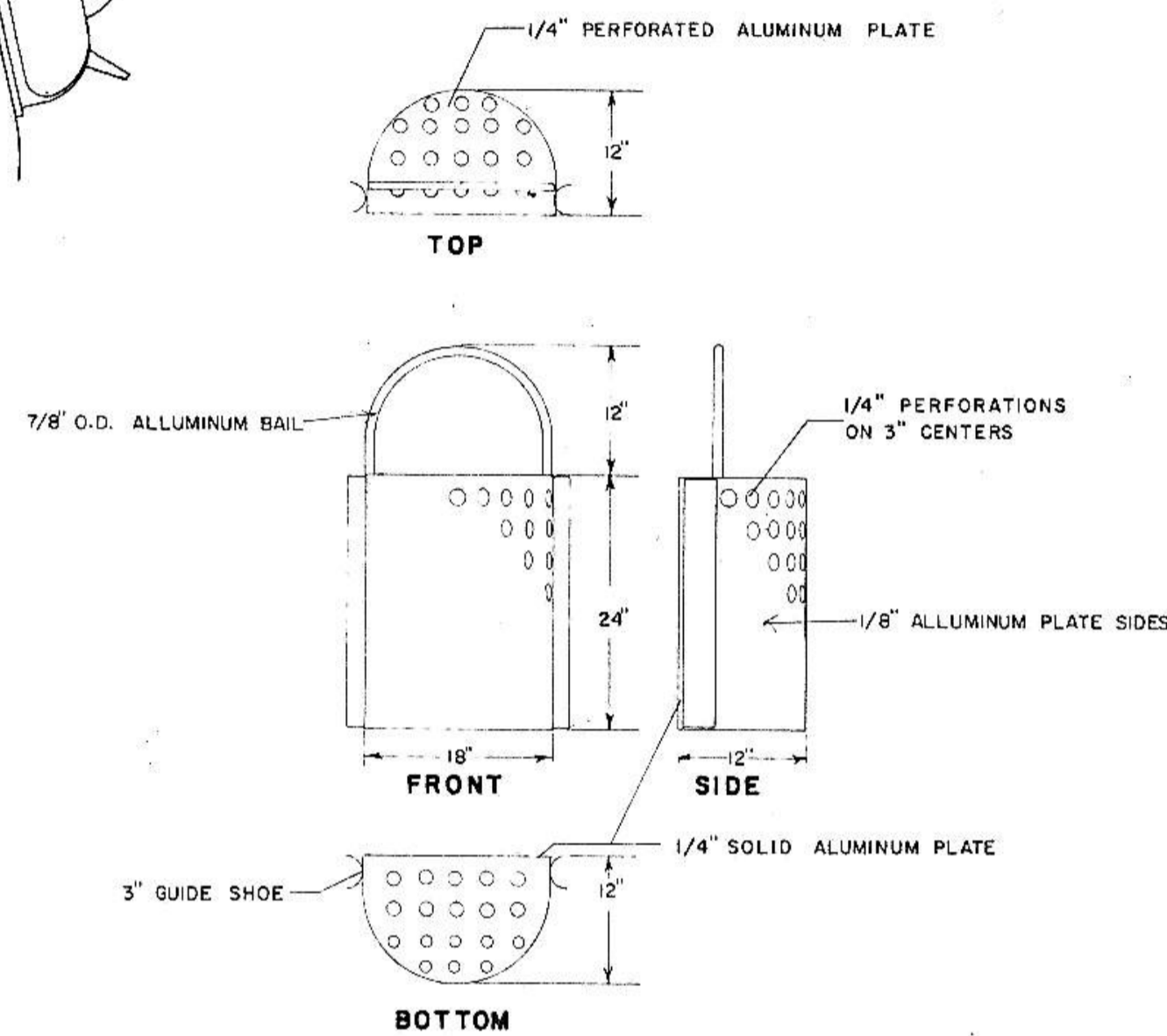
**6" VENT DETAIL**



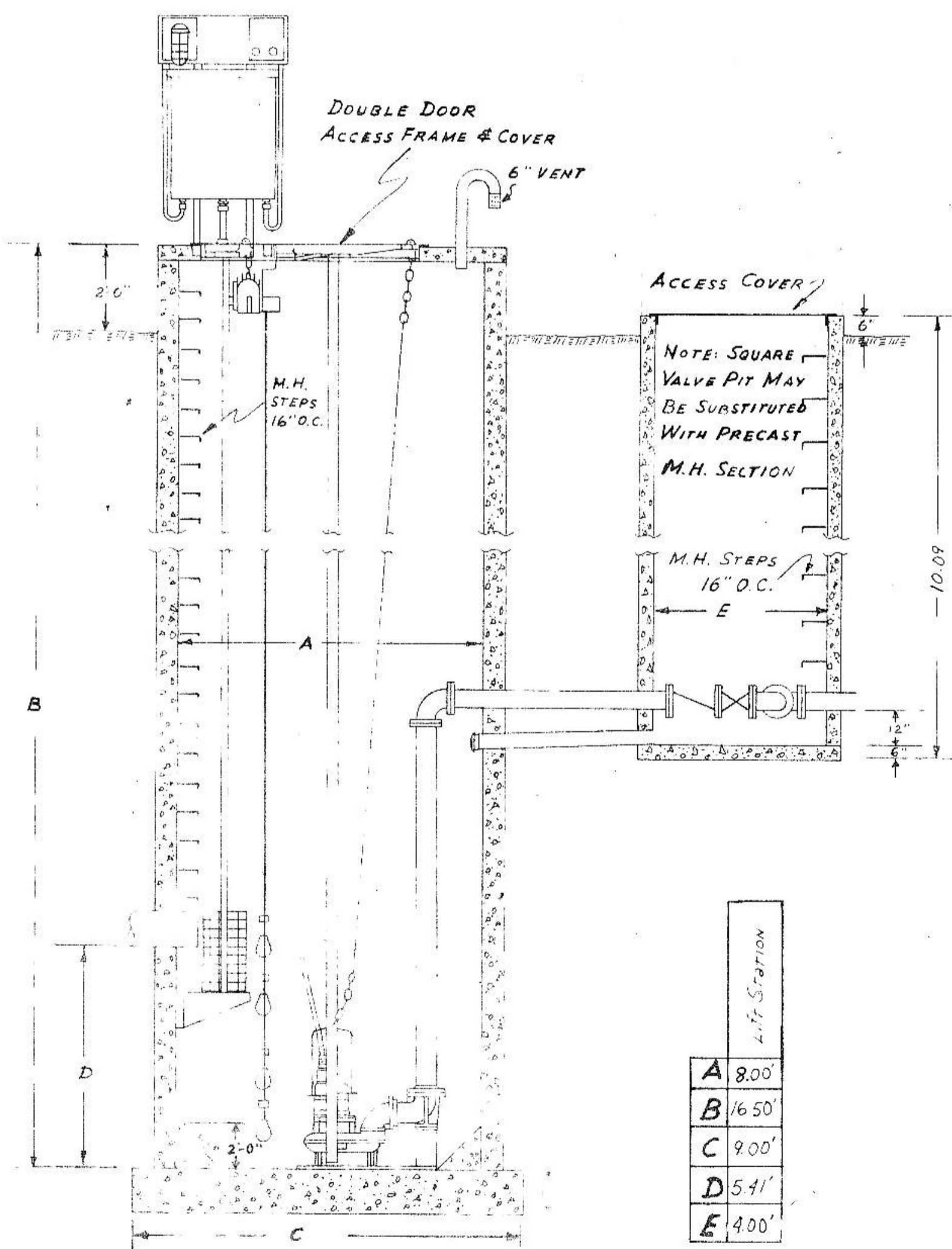
**DOOR AND FRAME**  
14 1/2' x 20 1/4' CLEAR



**STRAINER BASKET MOUNTING DETAIL**



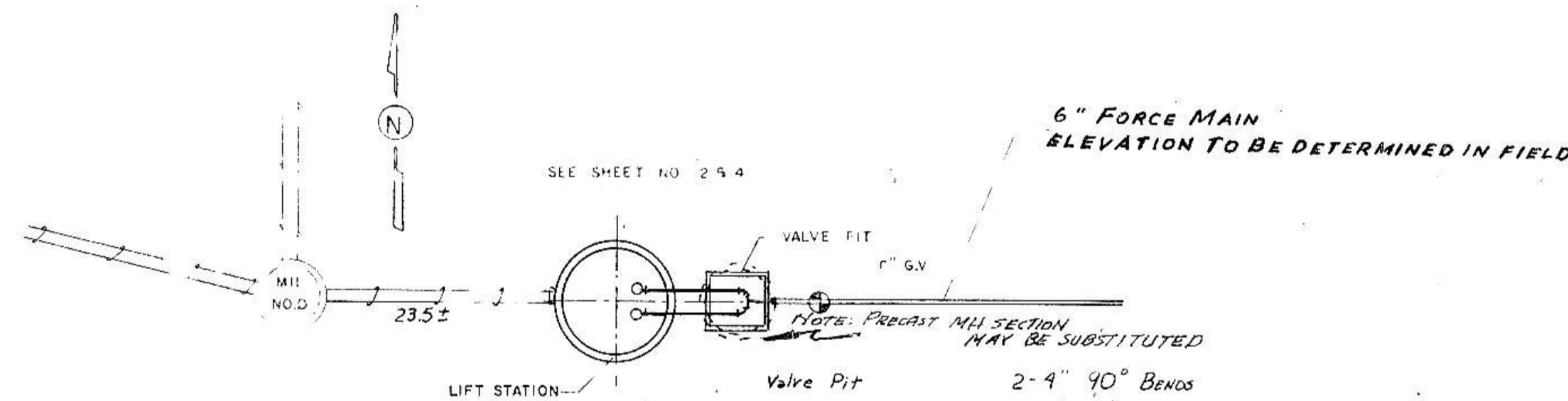
**TRASH BASKET DETAIL**



**SIDE SECTION**  
No SCALE

**DIMENSIONS**

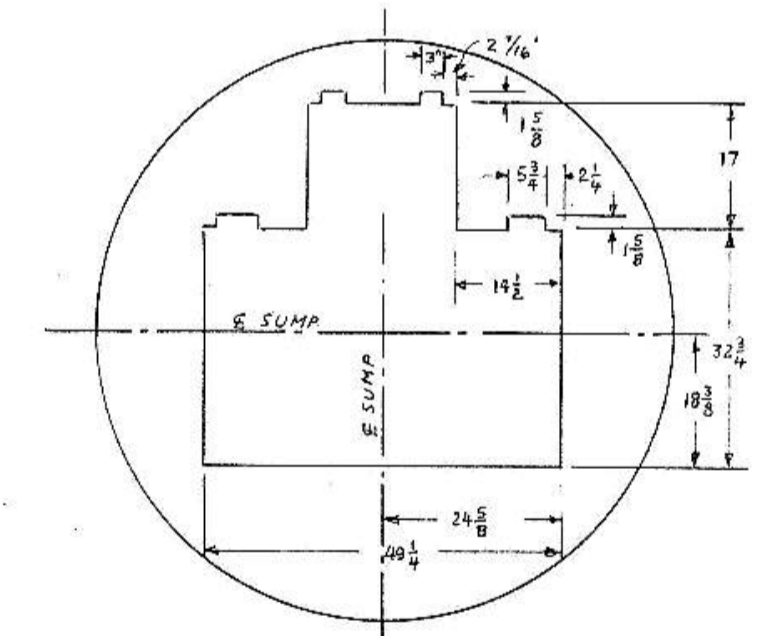
LETTER	LENGTH
A	8.00'
B	16.50'
C	9.00'
D	5.41'
E	4.00'



**PLAN VIEW SATELLITE STATION 1**

6" FORCE MAIN ELEVATION TO BE DETERMINED IN FIELD

- 2-4" 90° Bends
- 1-4" to 6" Tee
- 2-4" Check Valve
- 2-4" Gate Valve
- 1-0" Gate Valve



**CUT OUT DETAIL FOR SUMP COVER**



Project <b>CONSOLIDATED W&amp;S Impr. Dist. # 24</b>			
Detail	SCALE	DRAWN BY	REVIEWED
<b>SATELLITE LIFT STATION</b>	NONE	<b>R.S.</b>	
<b>TOMAN ENGINEERING CO.</b>			
Engineering and Environmental Consultants - Mandan, N.D. - Bismarck, Manitoba			
DATE	APPROVED BY	DRAWING NUMBER	
<b>SEPT. 76</b>			