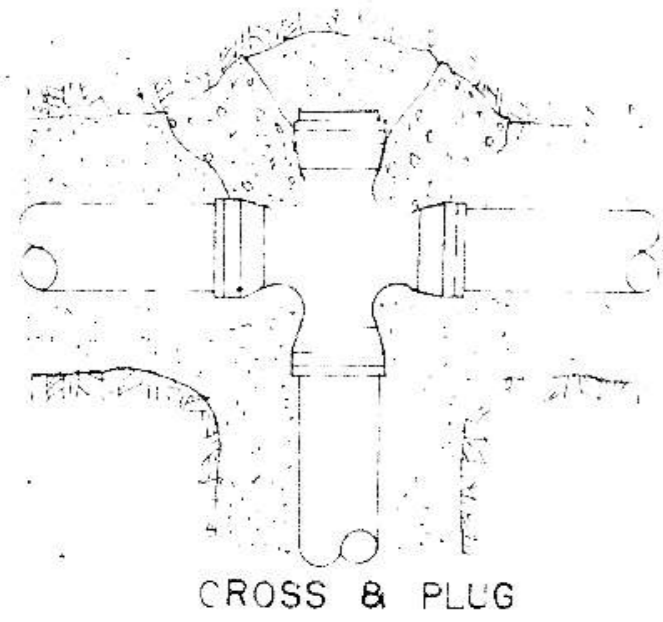
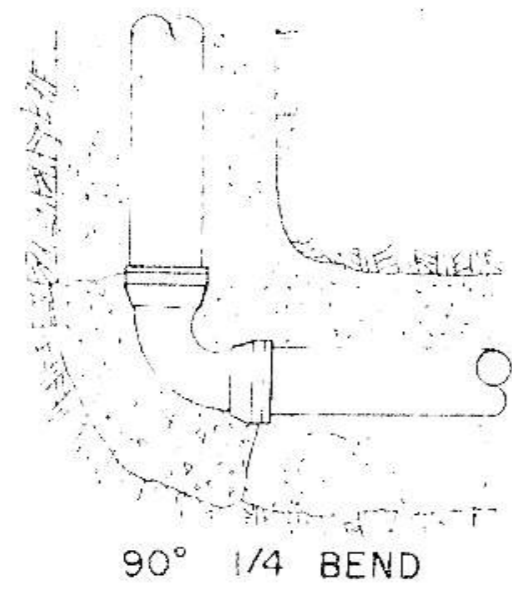


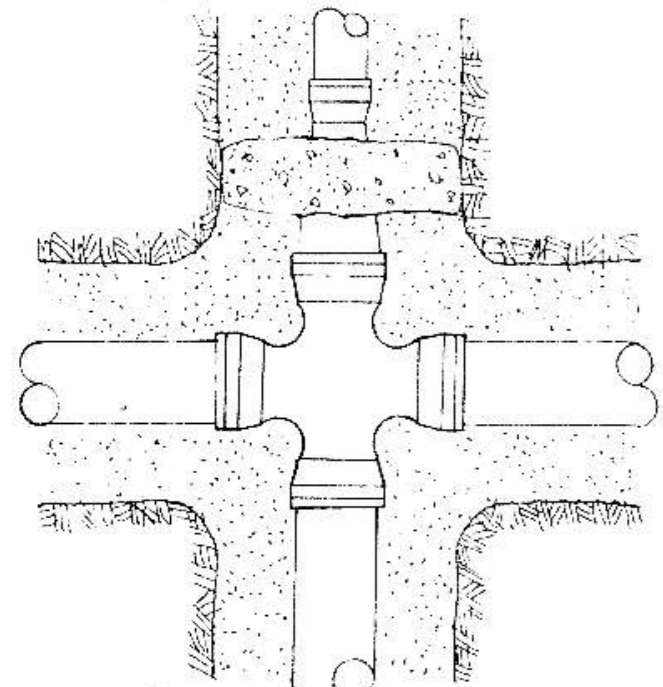
THRUST BLOCK DETAILS



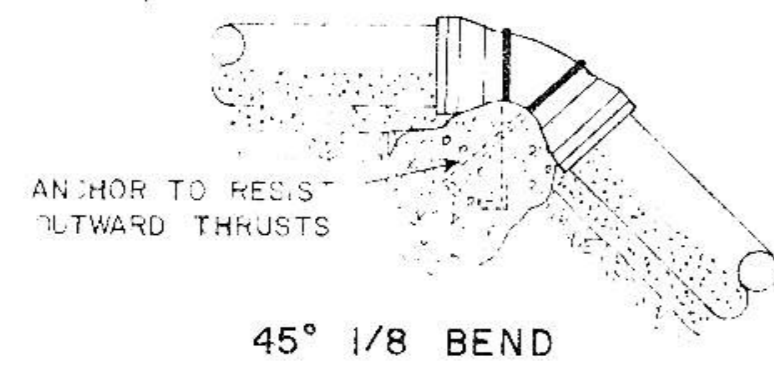
CROSS & PLUG



90° 1/4 BEND

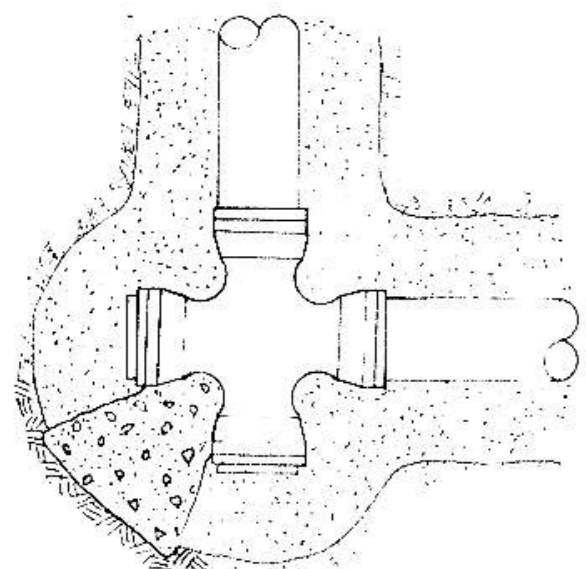


CROSS & REDUCER

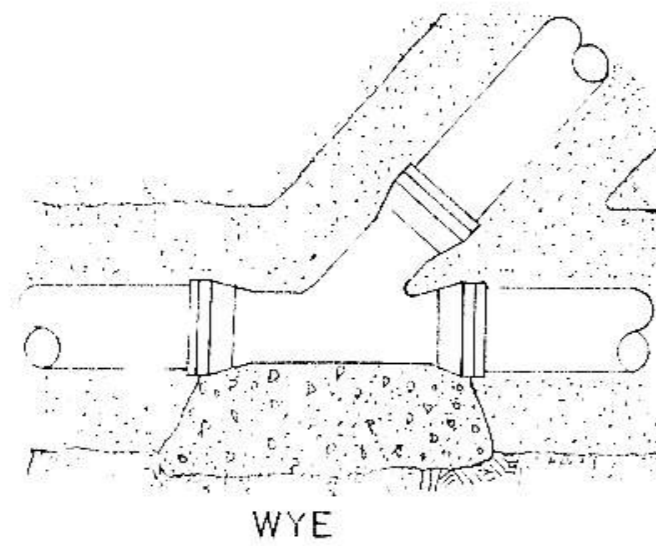


ANCHOR TO RESIST
OUTWARD THRUSTS

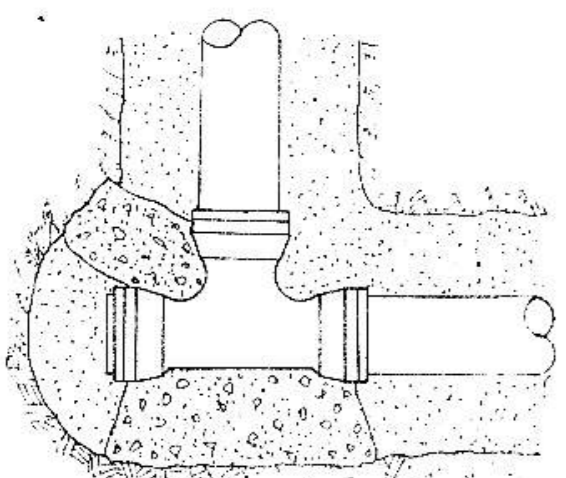
45° 1/8 BEND
22 1/2° 1/16 BEND



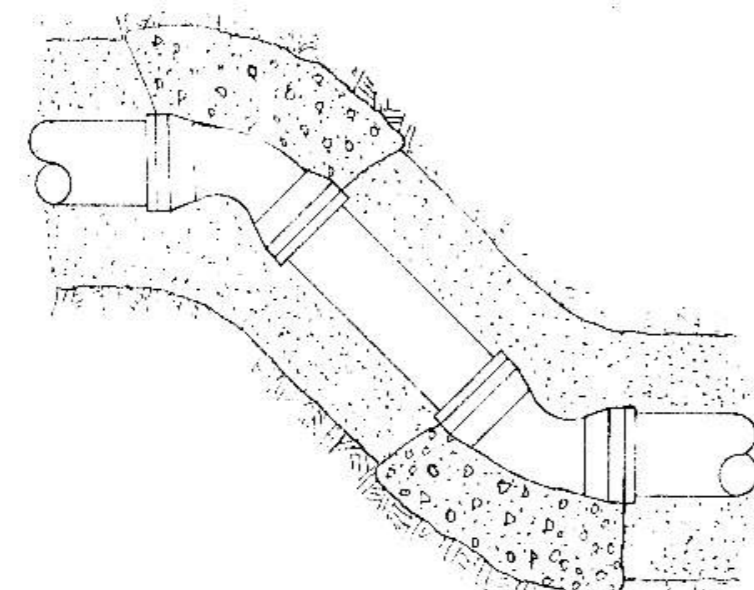
CROSS & PLUGS



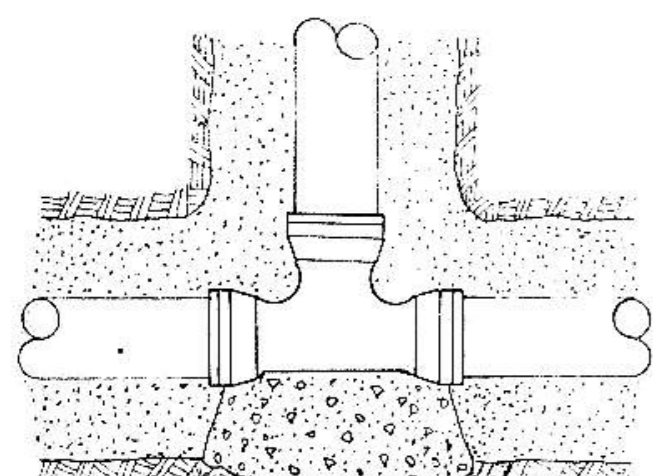
WYE



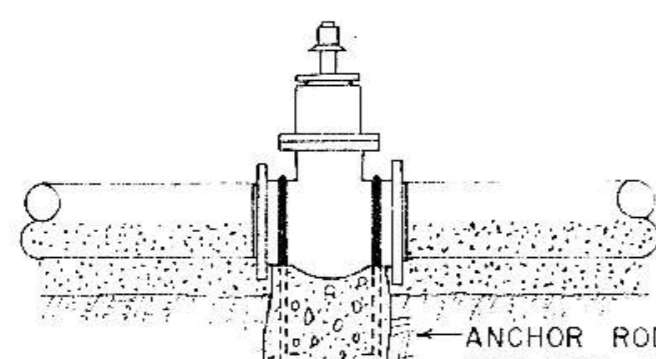
TEE & PLUG



45° 1/8 OFFSET

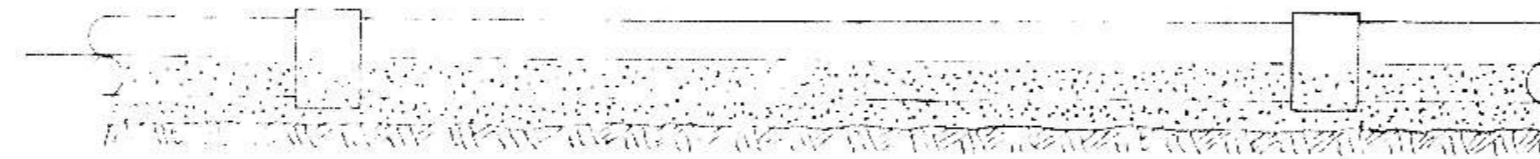


TEE



GATE VALVE

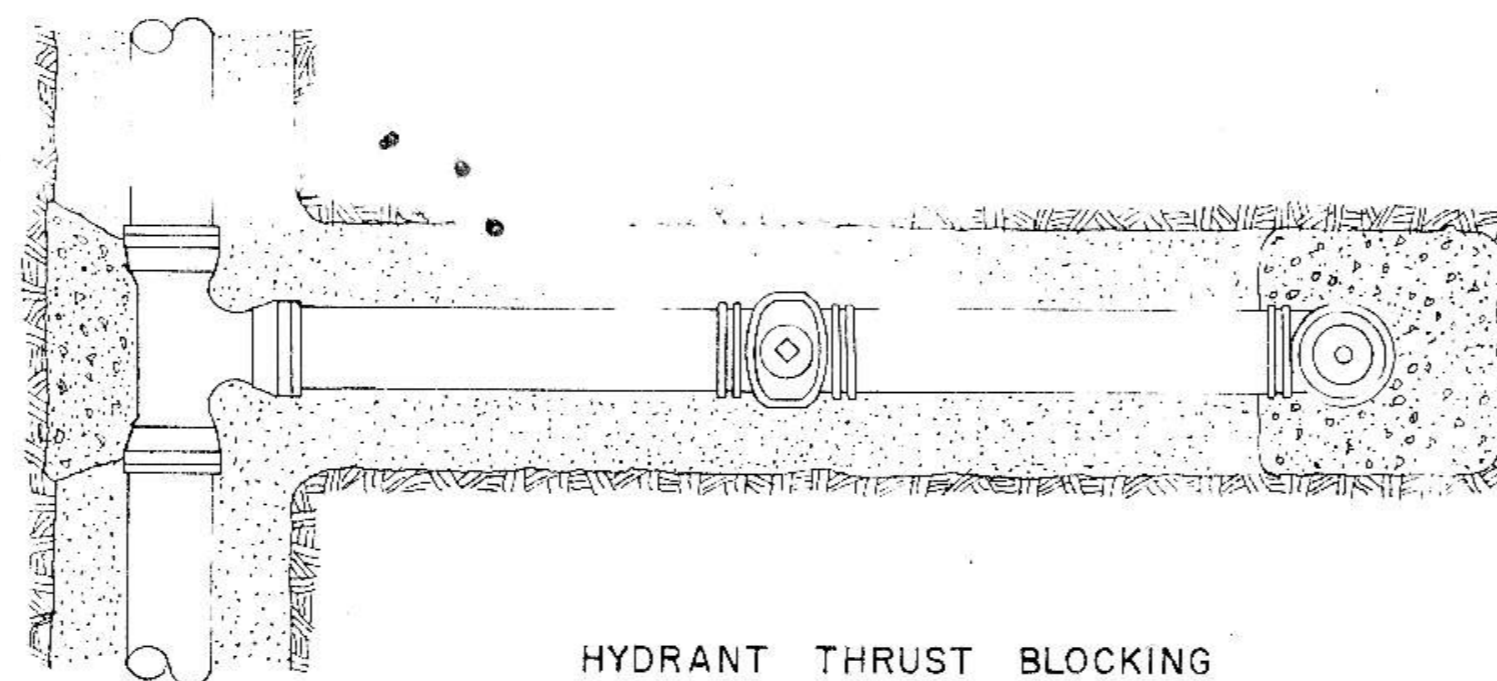
ANCHOR RODS REQUIRED
FOR HIGH PRESSURE AREAS



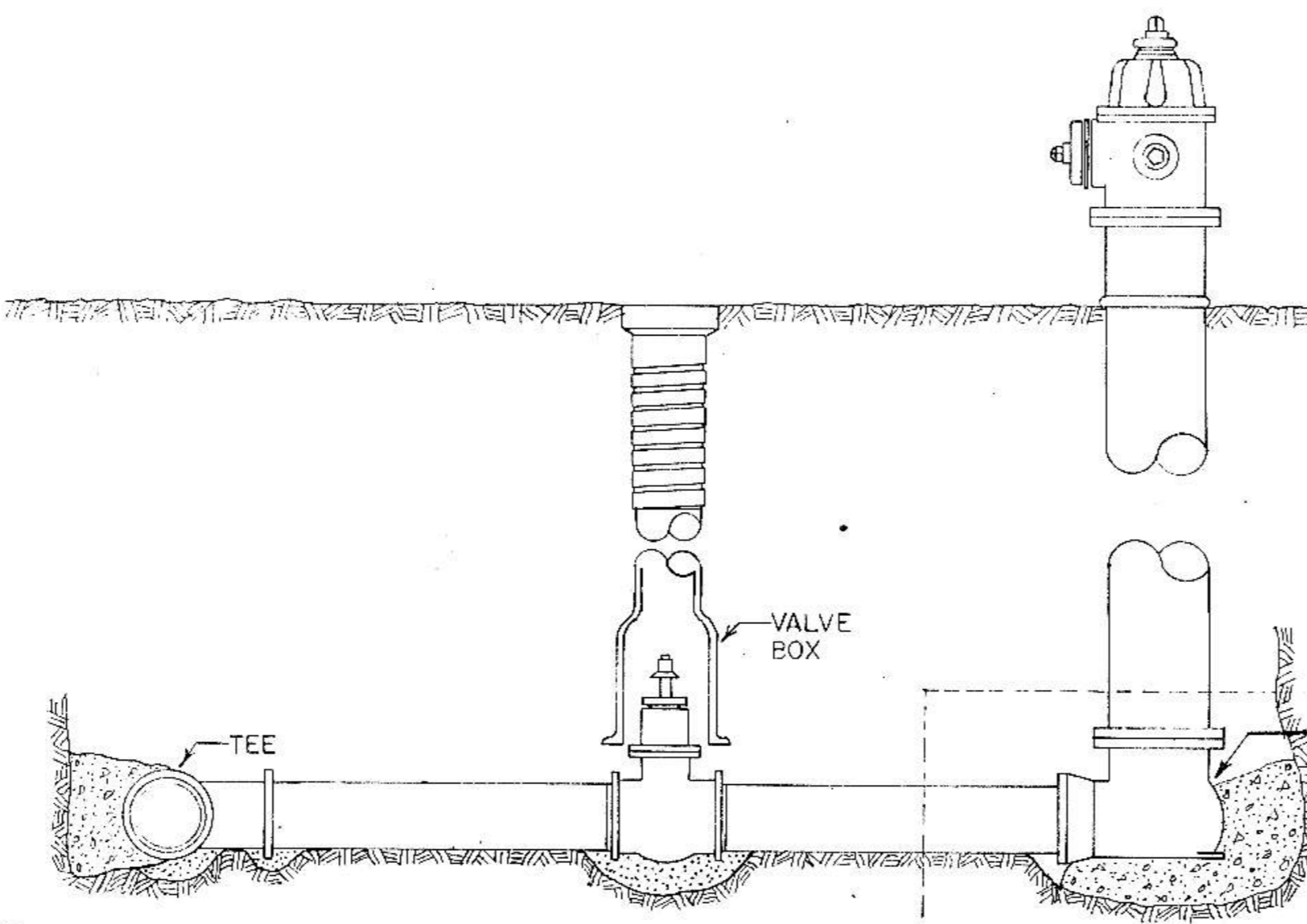
SAND CUSHION BEDDING-SUPPORT ENTIRE LENGTH OF PIPE
SPECIAL COMPACTION REQUIRED TO PIPE SPRING LINE



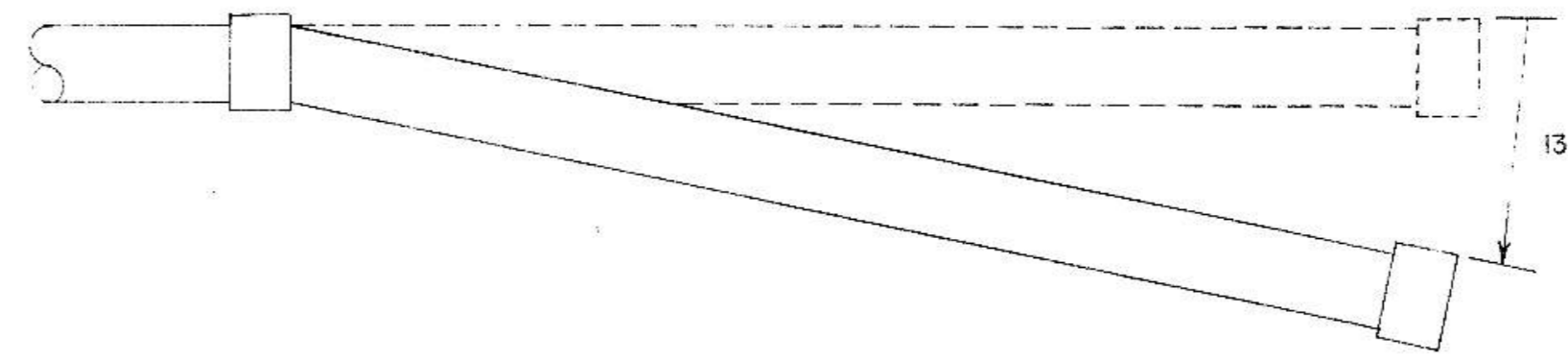
TYPICAL BEDDING TREATMENT USING APPROVED
OR SITE MATERIAL SHAPED FOR PIPE



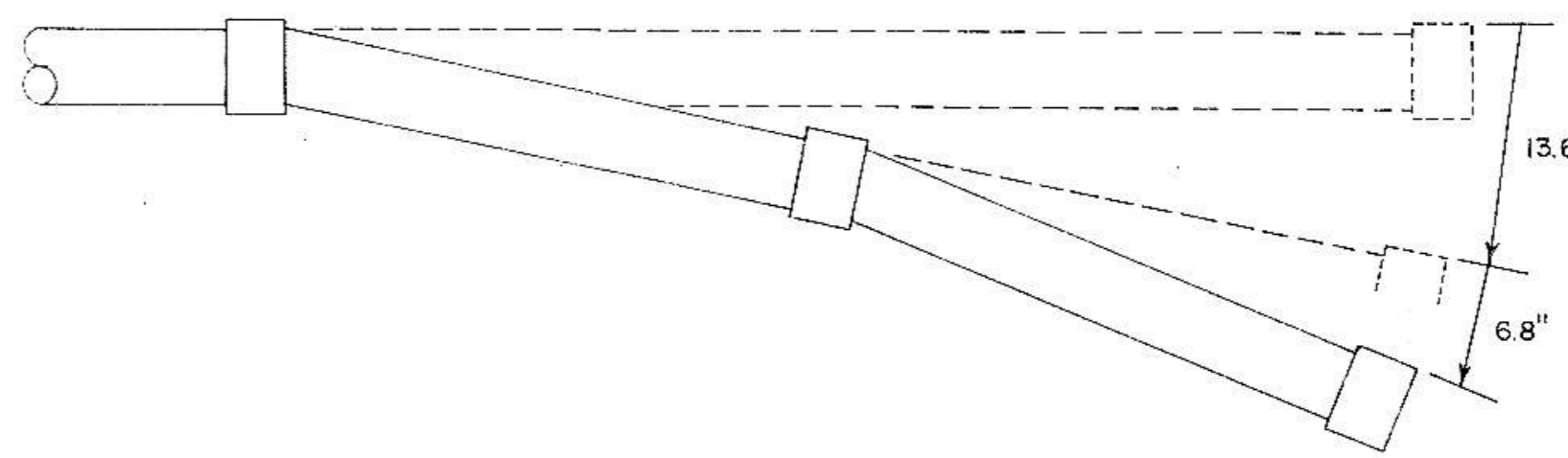
HYDRANT THRUST BLOCKING



LAYOUT OF FIRE HYDRANT & VALVE



MAX. OFFSET PER 13' LENGTH
ASBESTOS CEMENT PIPE



USING TWO HALF LENGTHS
ASBESTOS CEMENT PIPE

- NOTE: (1) ALL TYPES OF PIPE TO BE TREATED IN THE SAME GENERAL MANNER AS ASBESTOS CEMENT PIPE FOR DEFLECTIONS.
(2) BEDDING REQUIREMENTS SHALL BE AS INDICATED HEREON UNLESS MODIFIED IN THE SPECIFICATIONS.
(3) CONCRETE FOR THRUST BLOCKS SHALL HAVE MINIMUM 28 DAY COMPRESSIVE STRENGTH OF 3,000 PSI, AND MAX. SLUMP OF 3 INCHES AT TIME OF PLACEMENT.

LEGEND

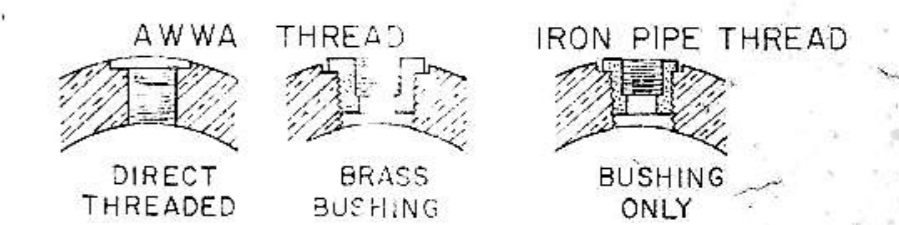
- CONCRETE
SITE SOIL
SELECT BACKFILL



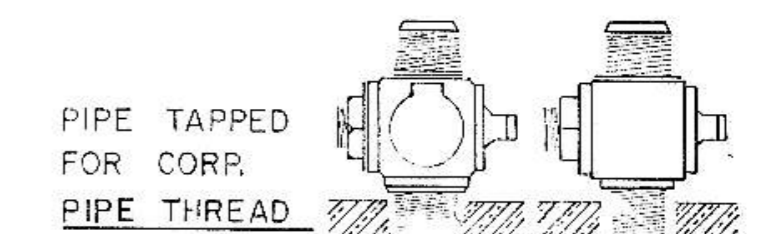
MAXIMUM SIZE OF OUTLET RECOMMENDED WITH SERVICE CLAMPS (INCHES)

NOMINAL PIPE SIZE	OUTLET SIZE (CLASSES 100-150-200)	
	SINGLE STRAP	DOUBLE STRAP
4"	1 1/2"	1 1/2"
6"	2"	2"
8"	2 1/2"	2 1/2"
10"	3"	3"
12"	3 1/2"	3 1/2"
14"	4"	4"
16"	4 1/2"	4 1/2"

SADDLES FOR ASBESTOS CEMENT PIPE

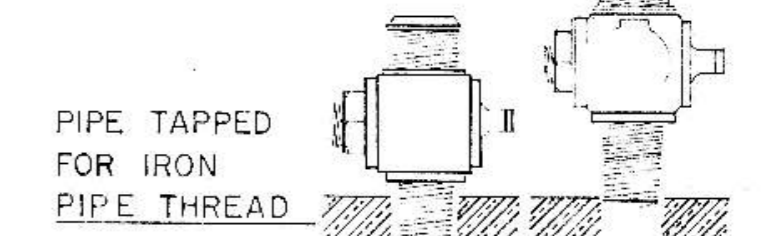


THREAD TREATMENT
A-C PIPE



PIPE TAPPED FOR CORP. PIPE THREAD

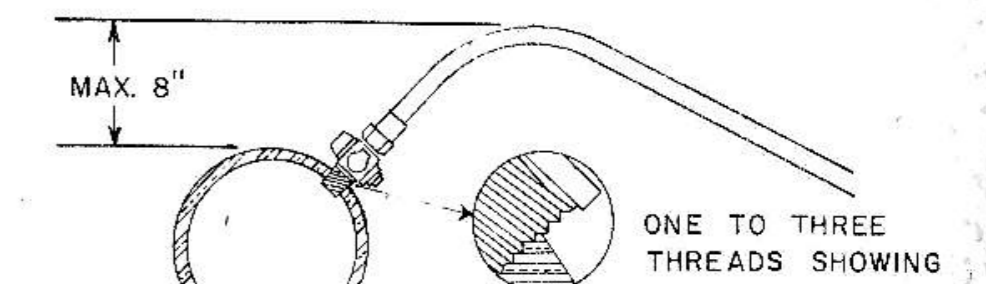
RIGHT CORPORATION-THREAD USED
WRONG IRON-PIPE-THREAD USED



PIPE TAPPED FOR IRON PIPE THREAD

RIGHT IRON-PIPE-THREAD USED
WRONG CORPORATION-THREAD USED

CORPORATION COCK TAPPING



SERVICE LINE CORPORATION COCK
DIRECT TAP POSITION



W&S IMP. DIST. NO. 24

