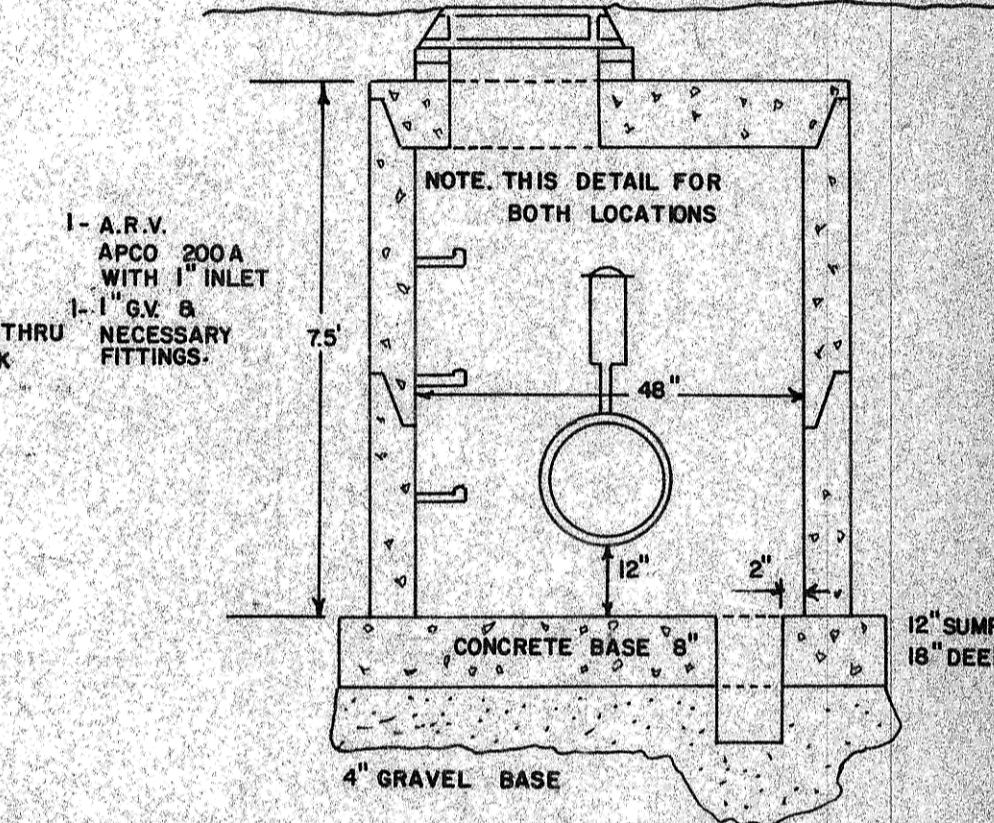
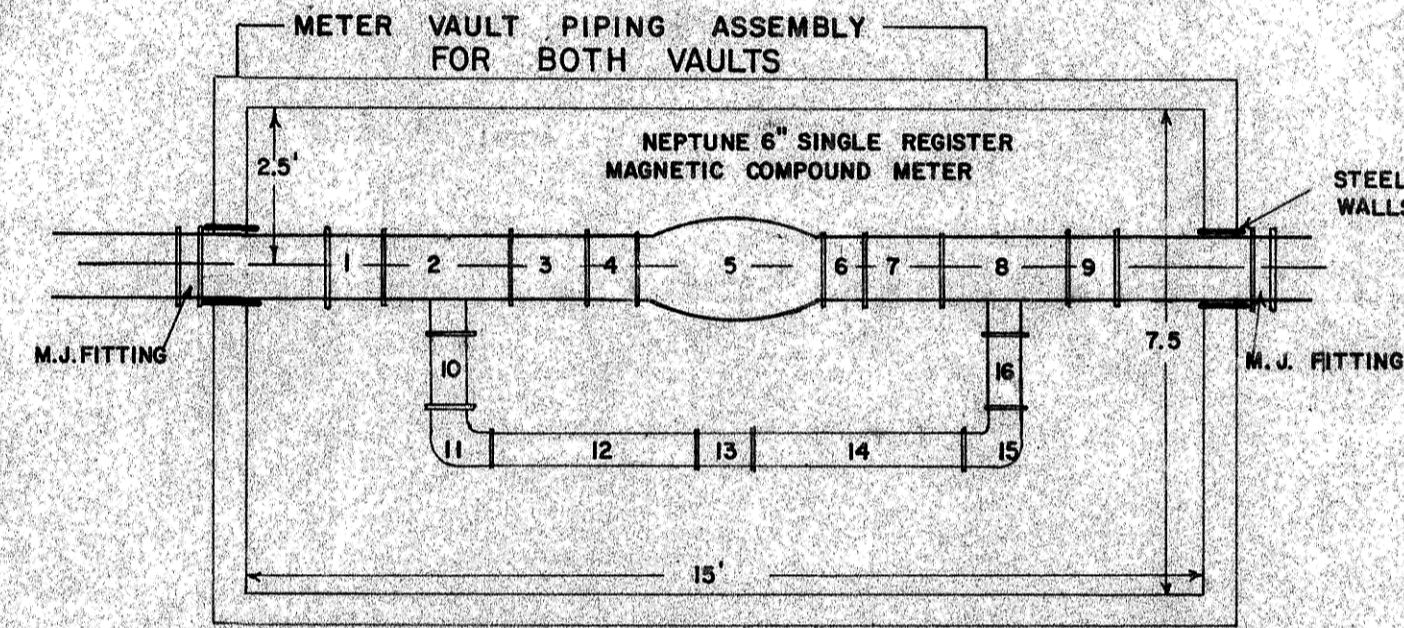
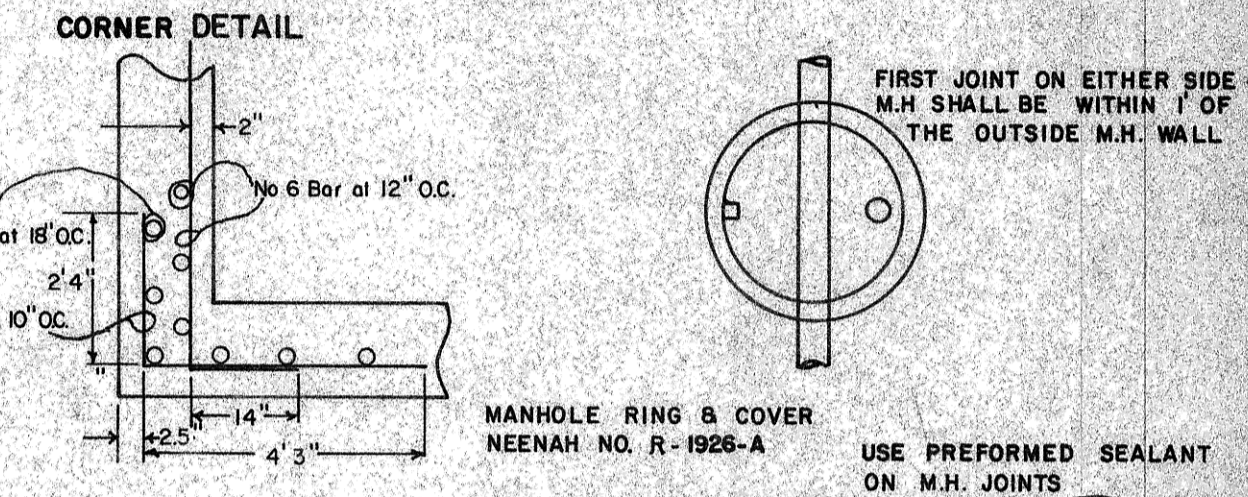
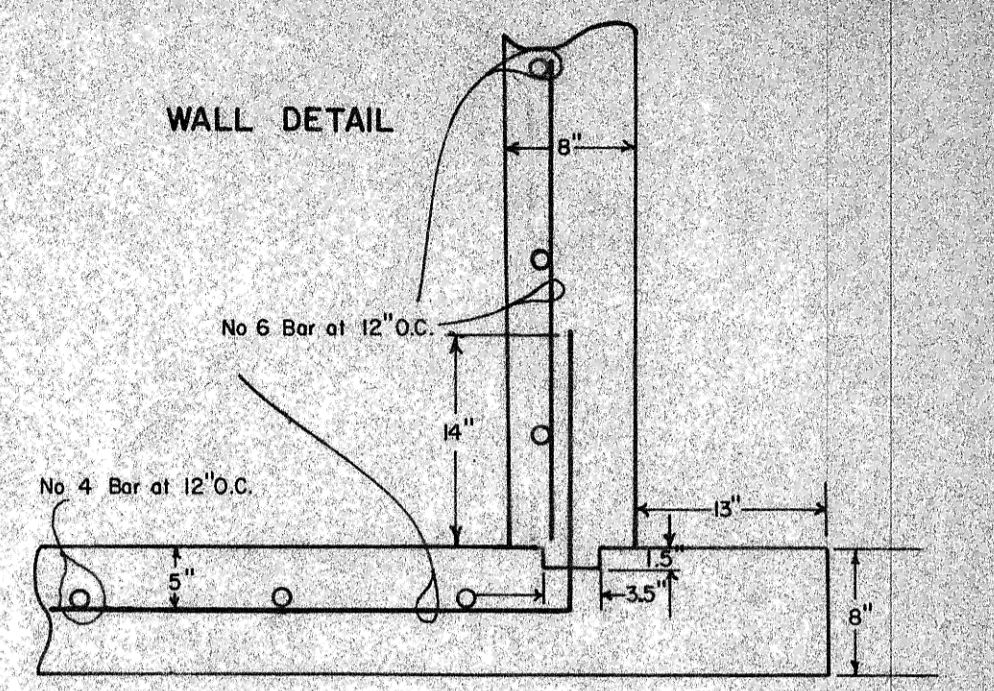
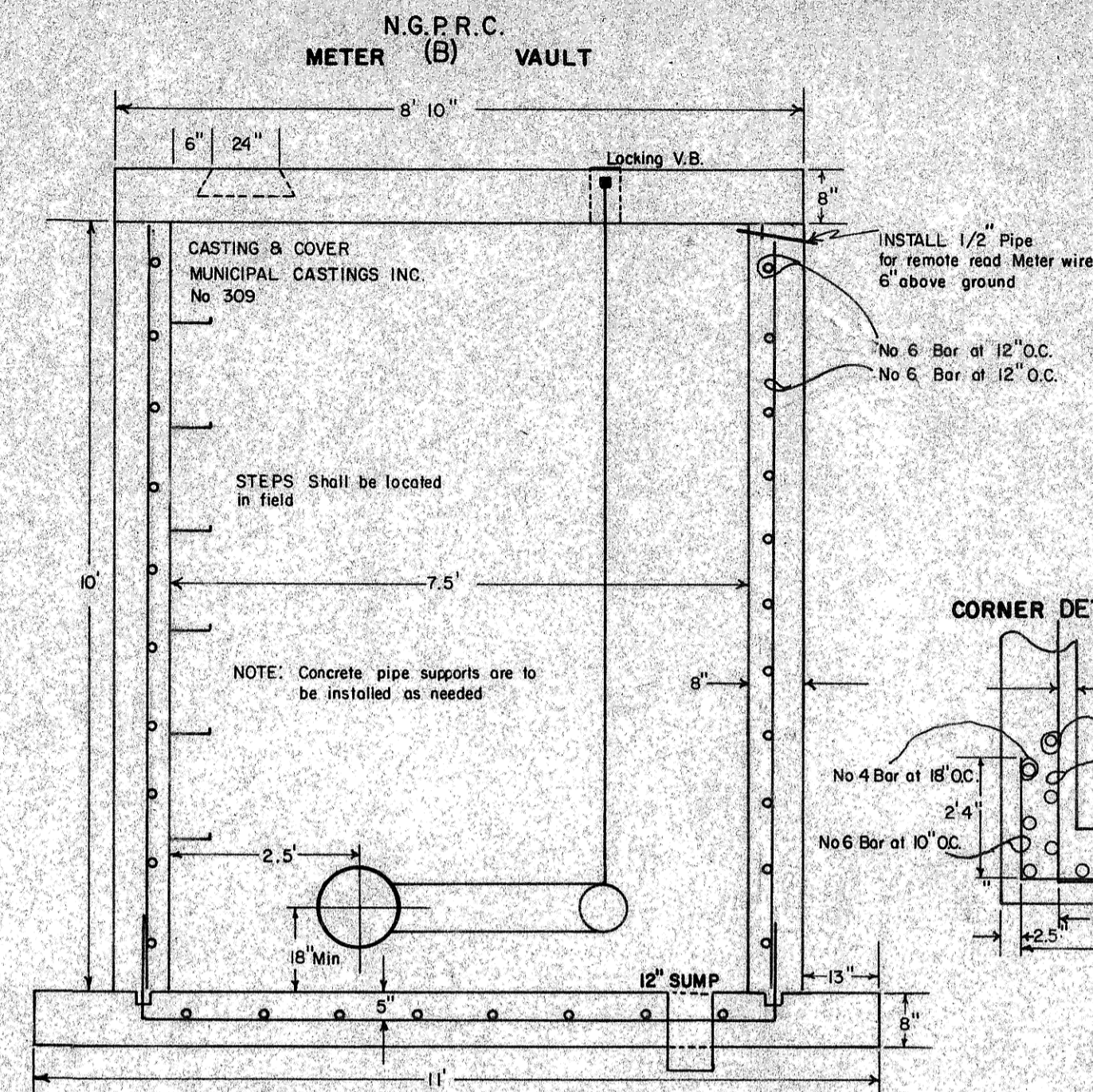
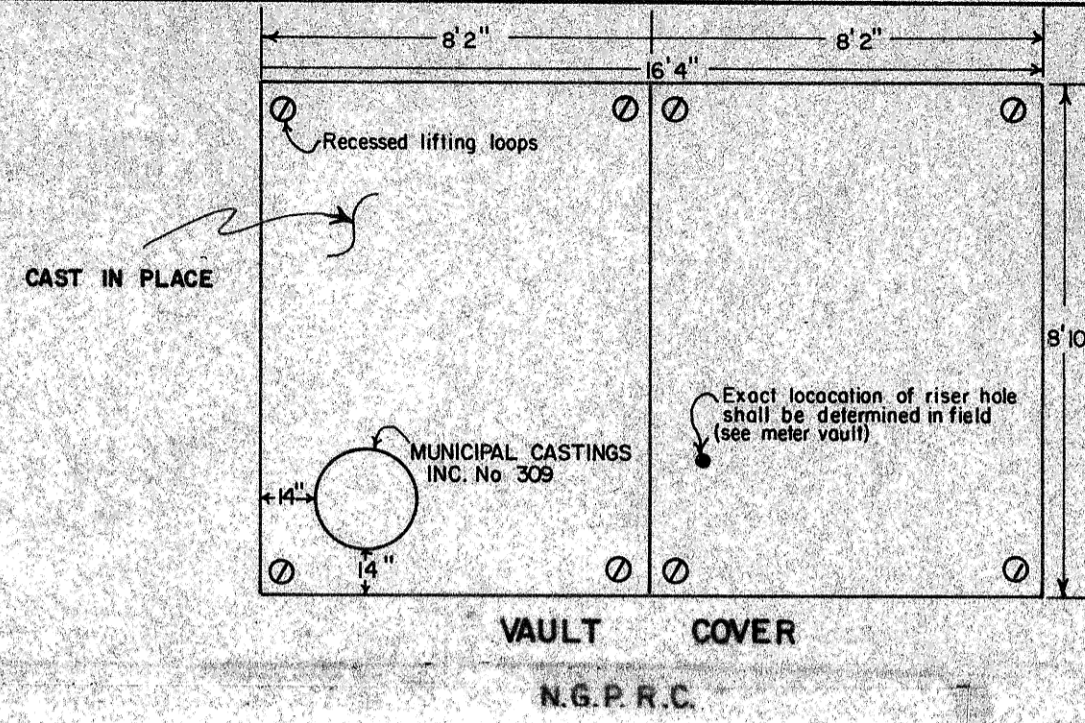
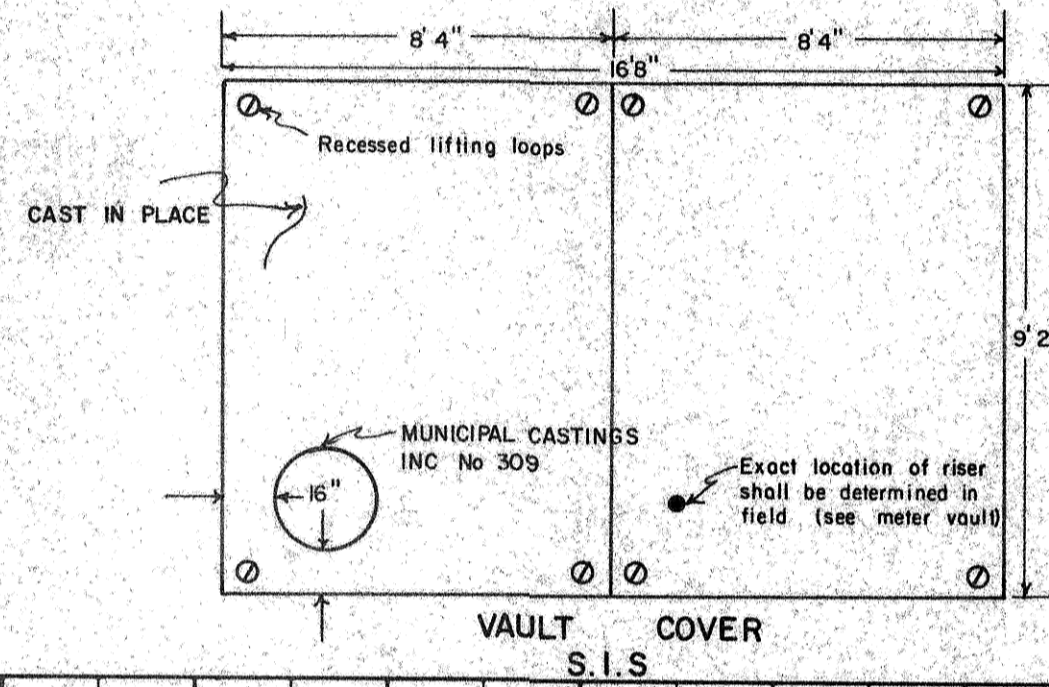
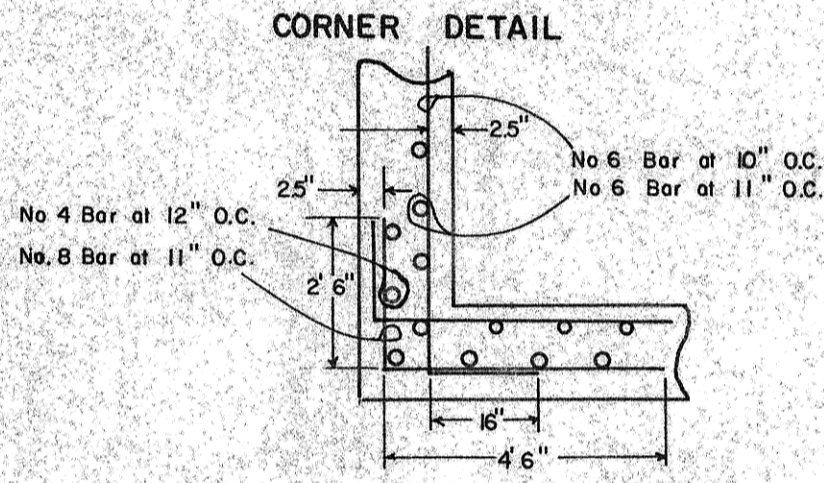
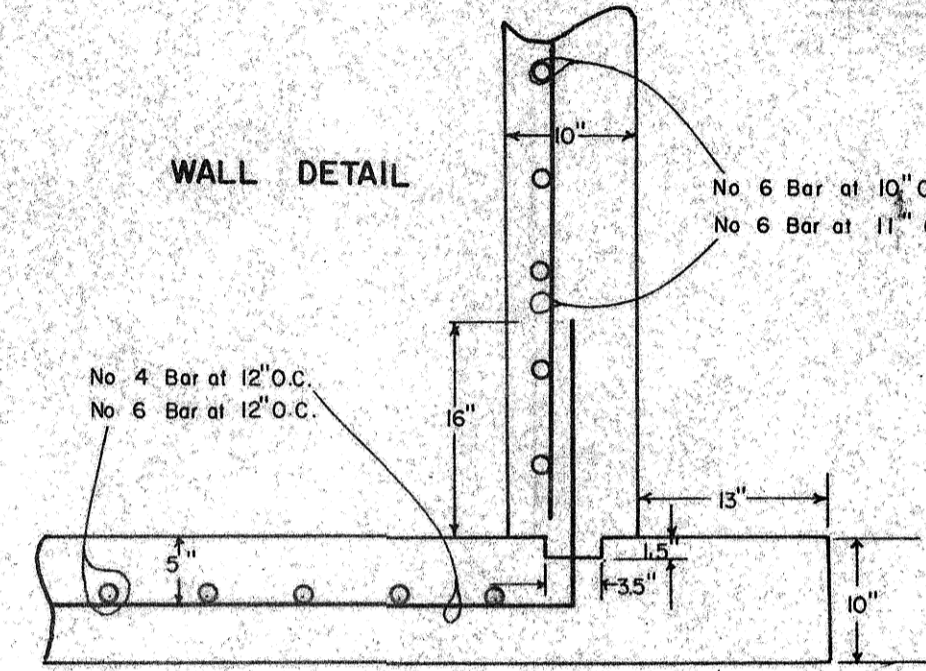
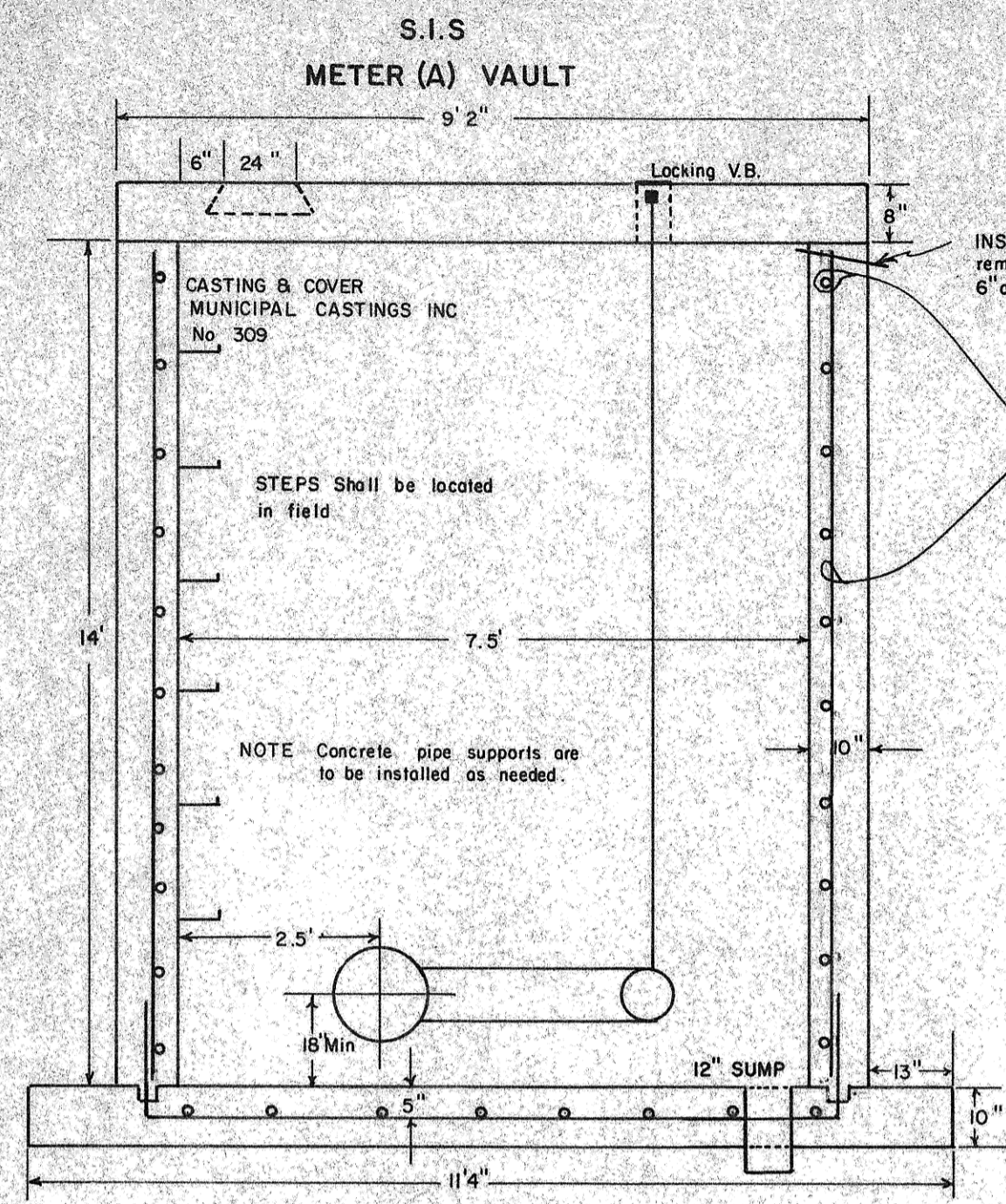


DATE \_\_\_\_\_ BY \_\_\_\_\_  
 PLAN SURVEYED, PLOTTED, ALIGNED, CHECKED, REVISIONS, E.T.C. MAY CHECKED, No. \_\_\_\_\_

DATE \_\_\_\_\_ BY \_\_\_\_\_  
 PROFILE SURVEYED, PLOTTED, CHECKED, REVISIONS, E.T.C. MAY CHECKED, No. \_\_\_\_\_



NOTE: ALL JOINTS IN METER VAULT ARE TO BE FLANGED & ROOF CONNECTIONS

**METER VAULT B PIPE ASSEMBLY DIMENSIONS AT S.I.S.**

- |                           |                                 |
|---------------------------|---------------------------------|
| 1-12" SPOOL - 12' L       | 9-12" SPOOL - 12' L             |
| 2-12" x 6" TEE - 24" L    | 10-8" SPOOL - 15 1/4" L         |
| 3-12" G.V. - 14" L        | 11-90° BEND 7" R                |
| 4-12" x 6" REDUCER 14" L  | 12-8" SPOOL 31 1/4" L           |
| 5-6" COMPOUND METER 24" L | 13-8" G.V. 10 1/2" L With Riser |
| 6-12" x 6" REDUCER 14" L  | 14-8" SPOOL 31 1/4" L           |
| 7-12" G.V. - 14" L        | 15-90° BEND 7" R                |
| 8-12" x 6" TEE - 24" L    | 16-8" SPOOL 15 1/4" L           |

**METER VAULT B PIPE ASSEMBLY DIMENSIONS AT N.G.P.R.C.**

- |                       |                                 |
|-----------------------|---------------------------------|
| 1-6" SPOOL - 12' L    | 9-6" SPOOL - 12' L              |
| 2-6" x 6" TEE - 24" L | 10-6" SPOOL - 15" L             |
| 3-6" G.V. - 10 1/2" L | 11-90° BEND 7" R                |
| 4-6" SPOOL - 10" L    | 12-6" SPOOL 29 1/4" L           |
| 5-6" COMPOUND METER   | 13-6" G.V. 10 1/2" L With Riser |
| 6-6" SPOOL - 12' L    | 14-6" SPOOL 29 1/4" L           |
| 7-6" G.V. - 10 1/2" L | 15-90° BEND 7" R                |
| 8-6" x 6" TEE - 24" L | 16-6" SPOOL 13" L               |

**AS BUILT**