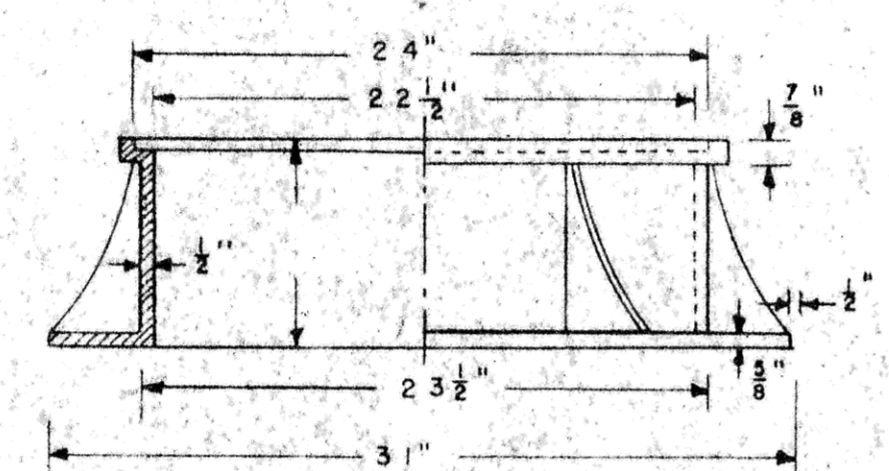
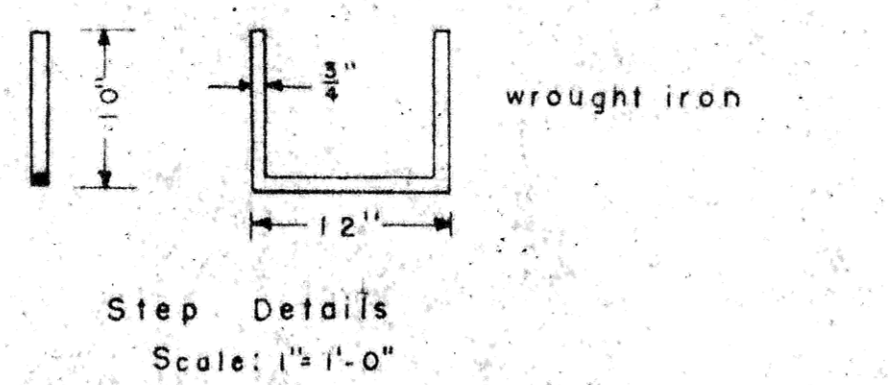
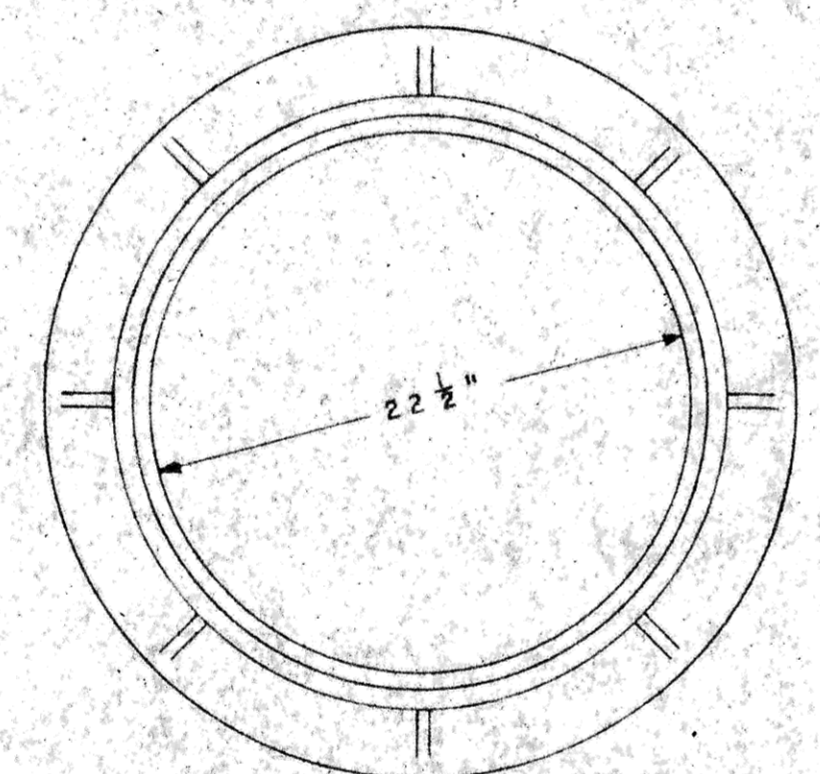


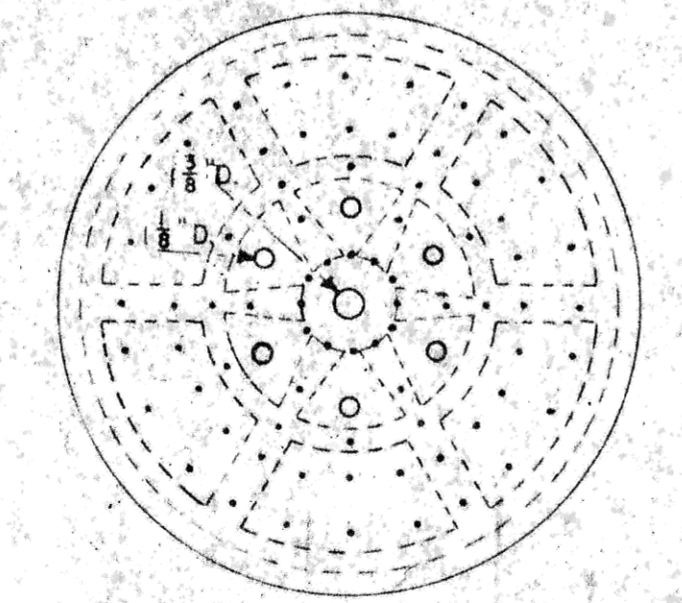
Elevation - Typical manhole
Scale: 1" = 1'-0"



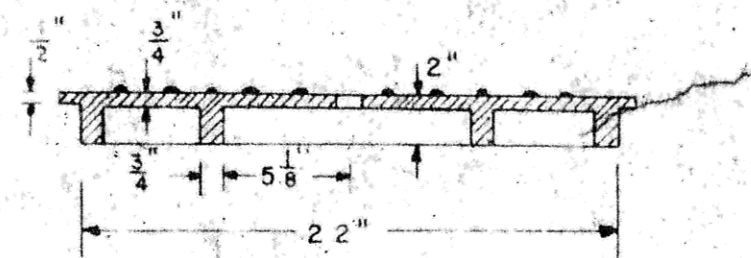
Elevation
Standard manhole ring
Scale: 1 1/2" = 1'-0"



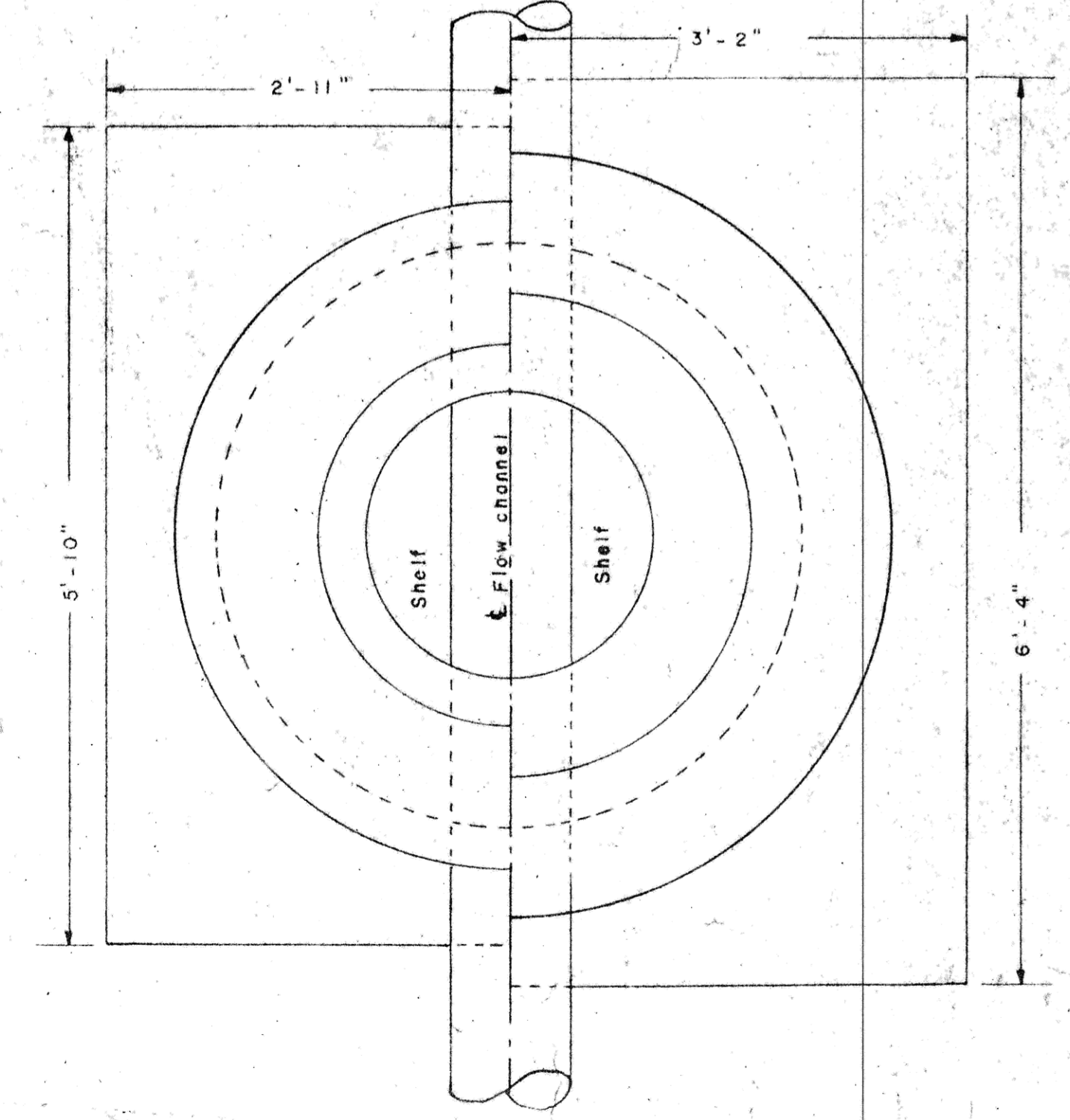
Plan
Standard manhole ring
Scale: 1 1/2" = 1'-0"



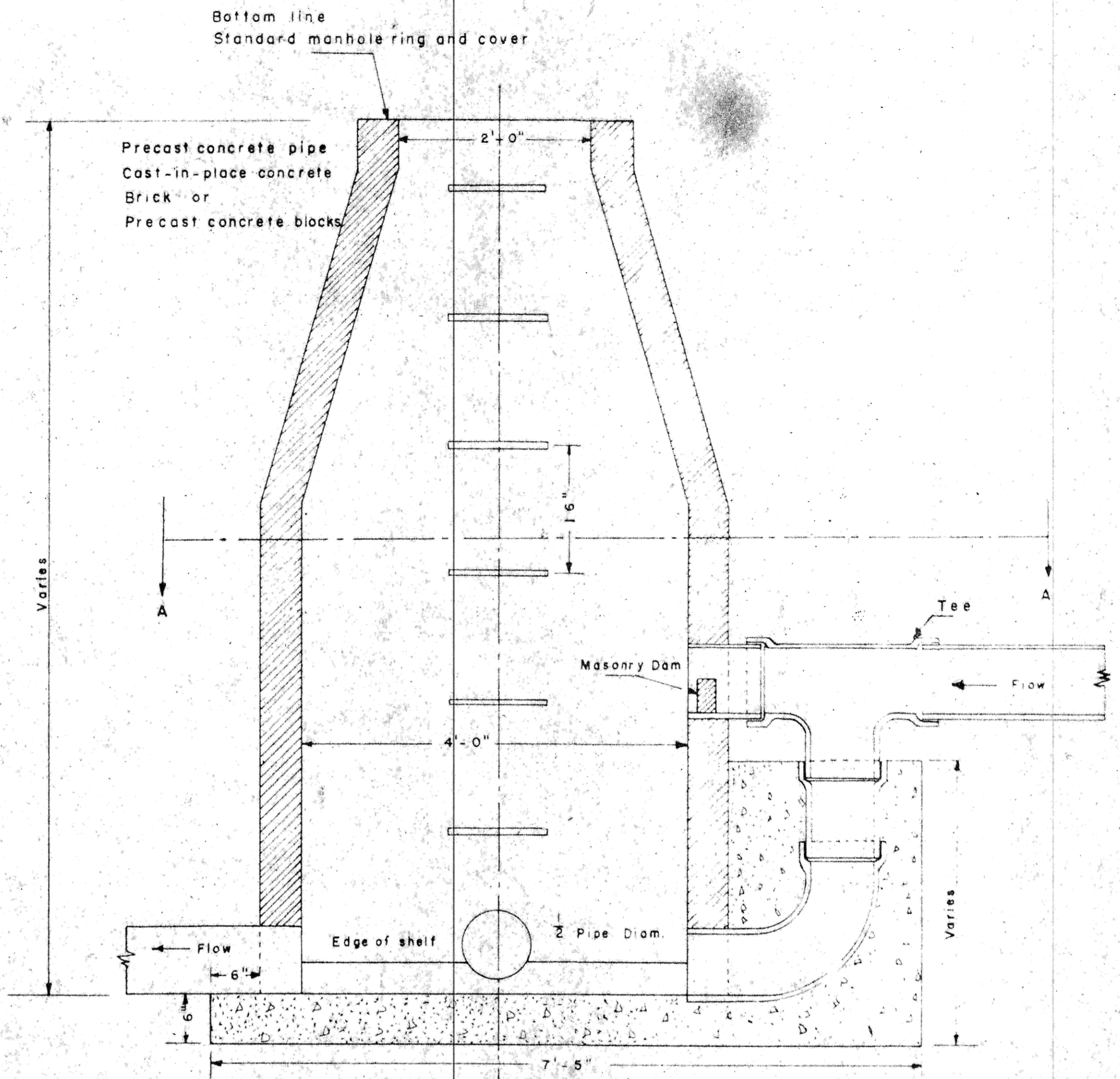
Plan
Standard manhole cover
Scale: 1 1/2" = 1'-0"



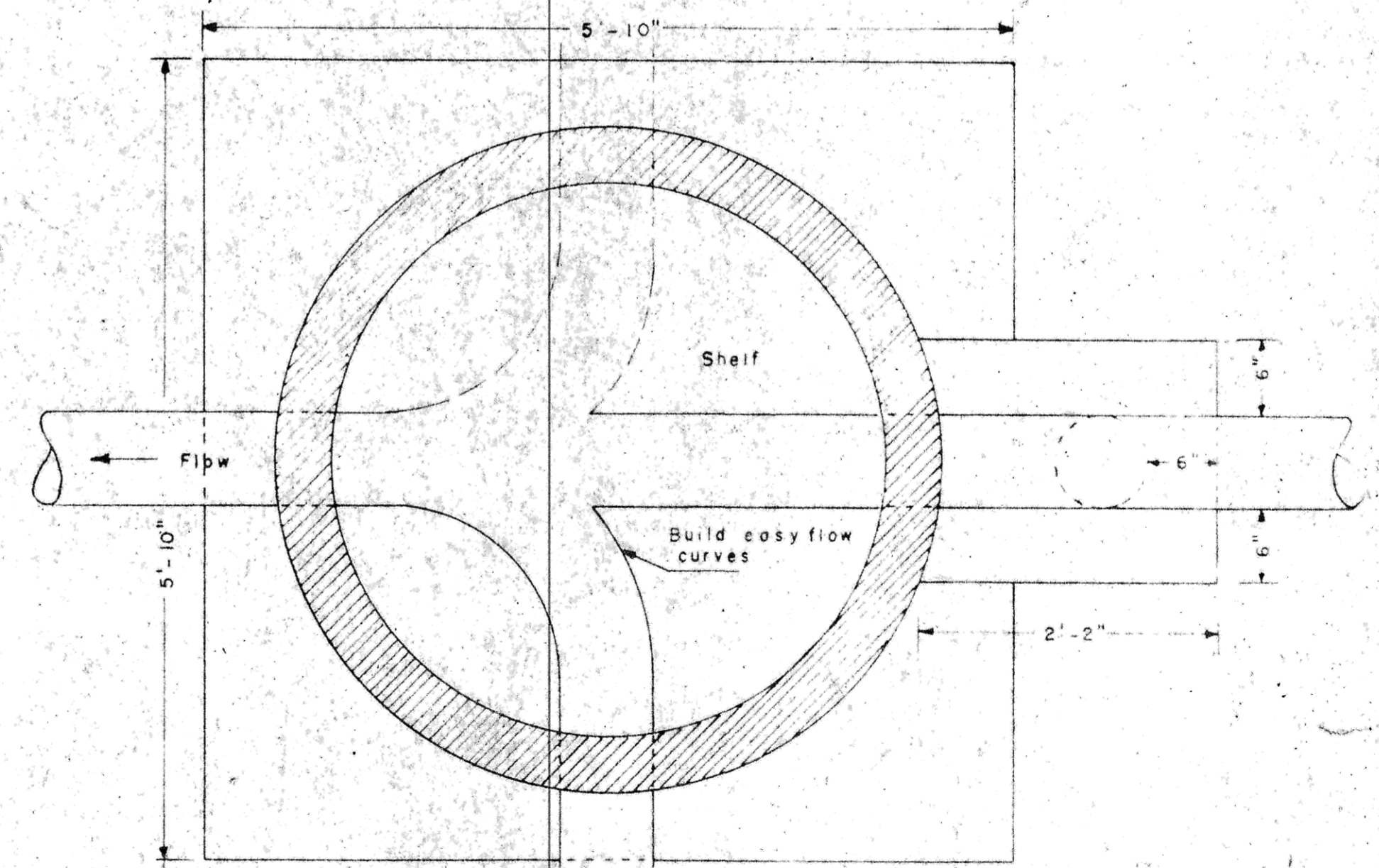
Elevation
Standard manhole cover
Scale: 1 1/2" = 1'-0"



Plan - Typical manhole
Scale: 1" = 1'-0"



Elevation - Typical Drop and/or Junction Manhole
Scale: 1" = 1'-0"



Section A-A Typical Drop and/or Junction Manhole
Scale: 1" = 1'-0"

MANDAN NORTH DAKOTA
SANITARY SEWER DISTRICT
NO. TEN
MANHOLE DETAILS

Scale As shown

Drawn by: *WJG*

Checked by: *[Signature]*

SHEET NO 2

George J. Taman

Consulting Engineer
Mandan, N.D.