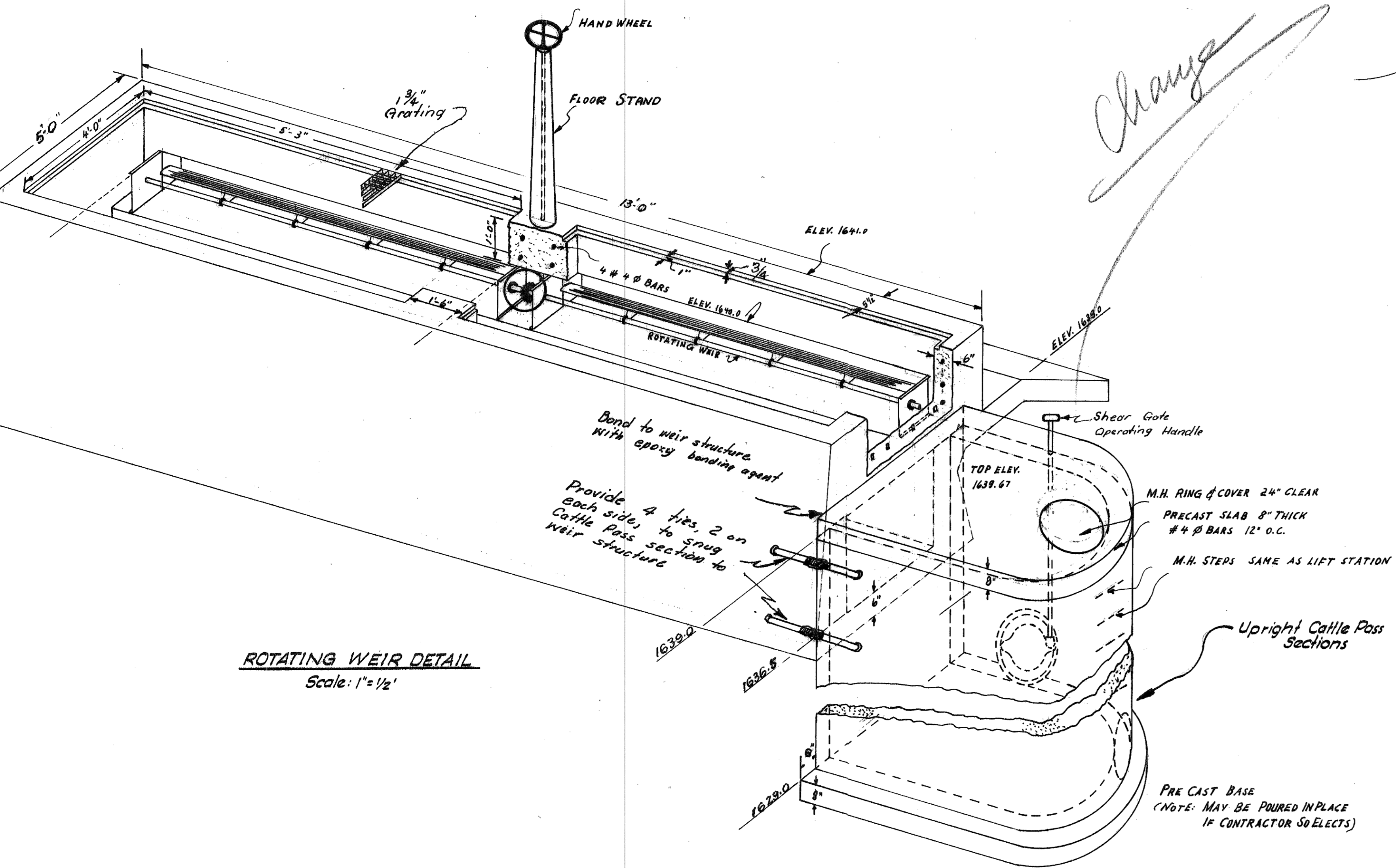
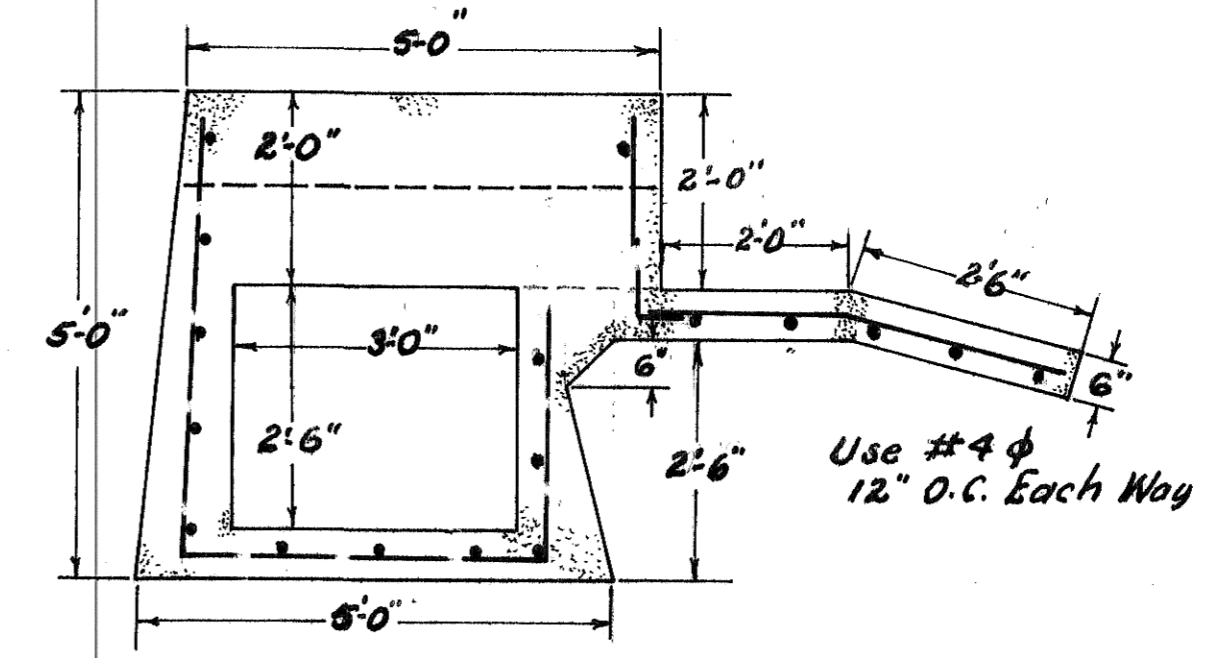
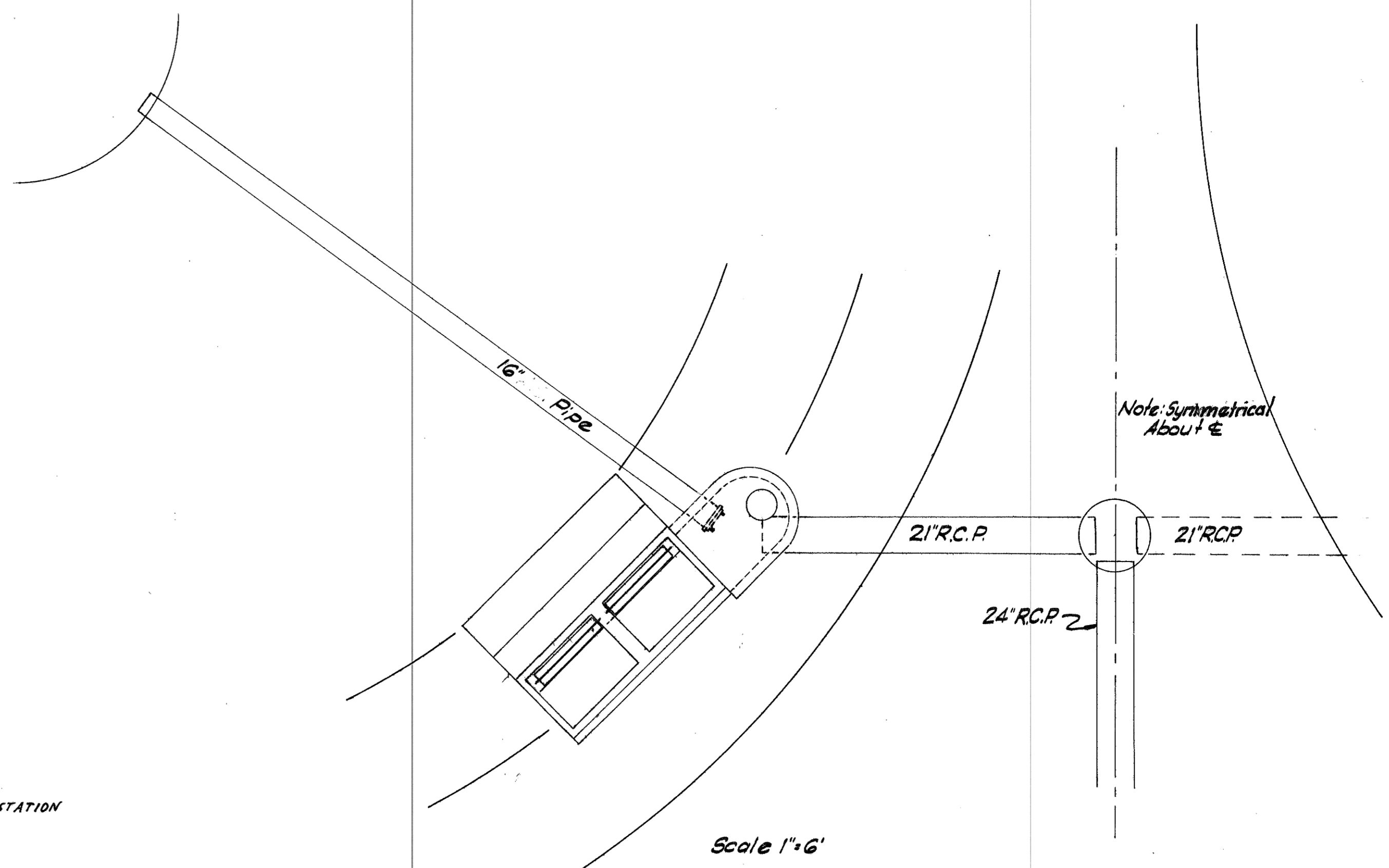


SECTION VIEW OF EFFLUENT & DRAIN LINE CONTROL  
Scale: 1" = 4'



ROTATING WEIR DETAIL  
Scale: 1" = 1/2'

*Change*



Scale 1" = 6'



SANITARY SEWER IMPROVEMENT DISTRICT NO. 14 CITY OF MANDAN, NORTH DAKOTA	
FILE NO.	DATE REVISED
SHEET NO. 24 OF 27 SHEETS SCALE AS SHOWN	
DETAILS OF CIRCULAR ROTATING WEIR, EFFLUENT, & DRAIN LINES	
GEORGE J. TOMAN R.R.E. NO. 165	CONSULTING ENGINEER MANDAN, NORTH DAKOTA