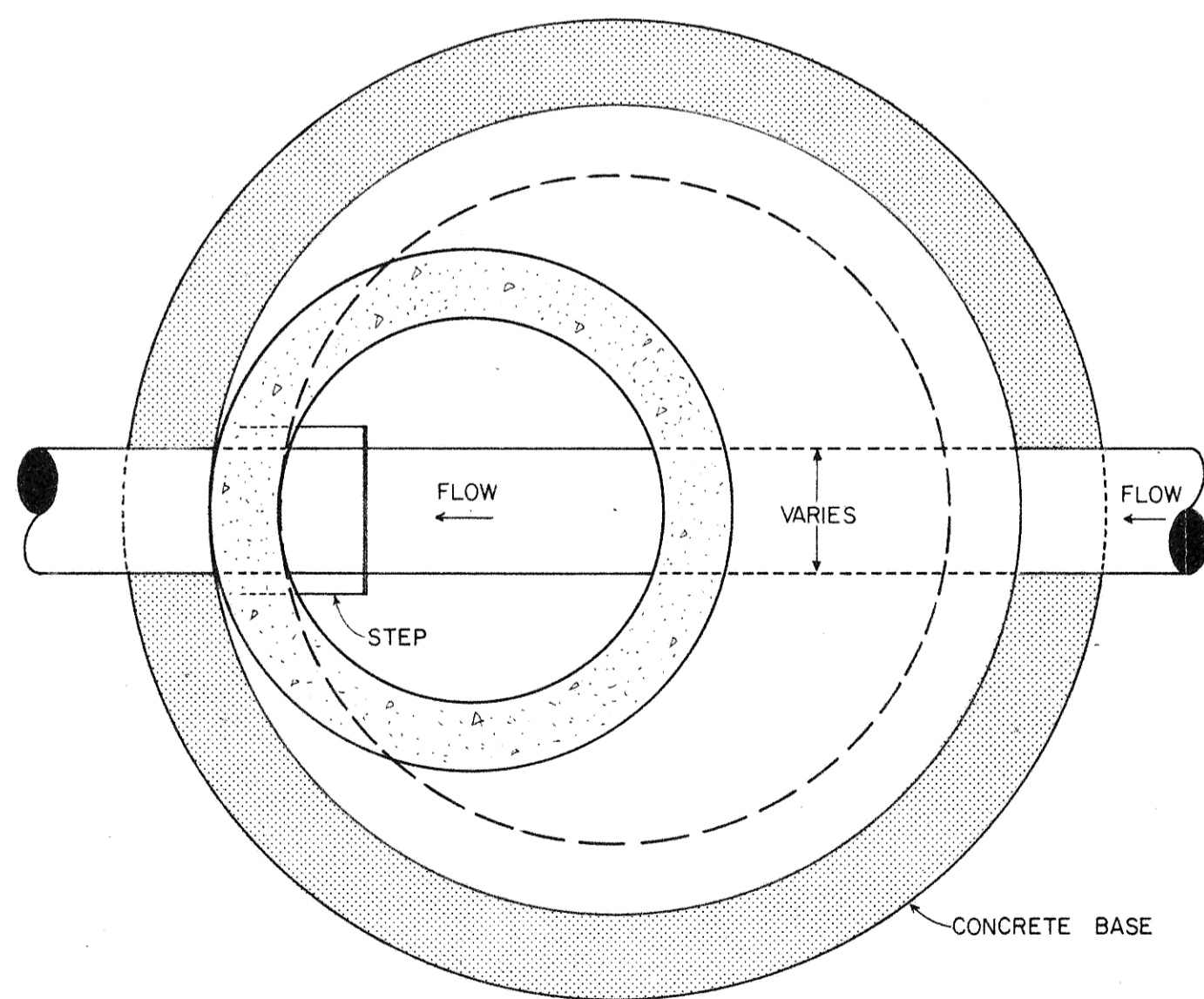


TYPICAL MANHOLE
SCALE: 1" = 1'-0"

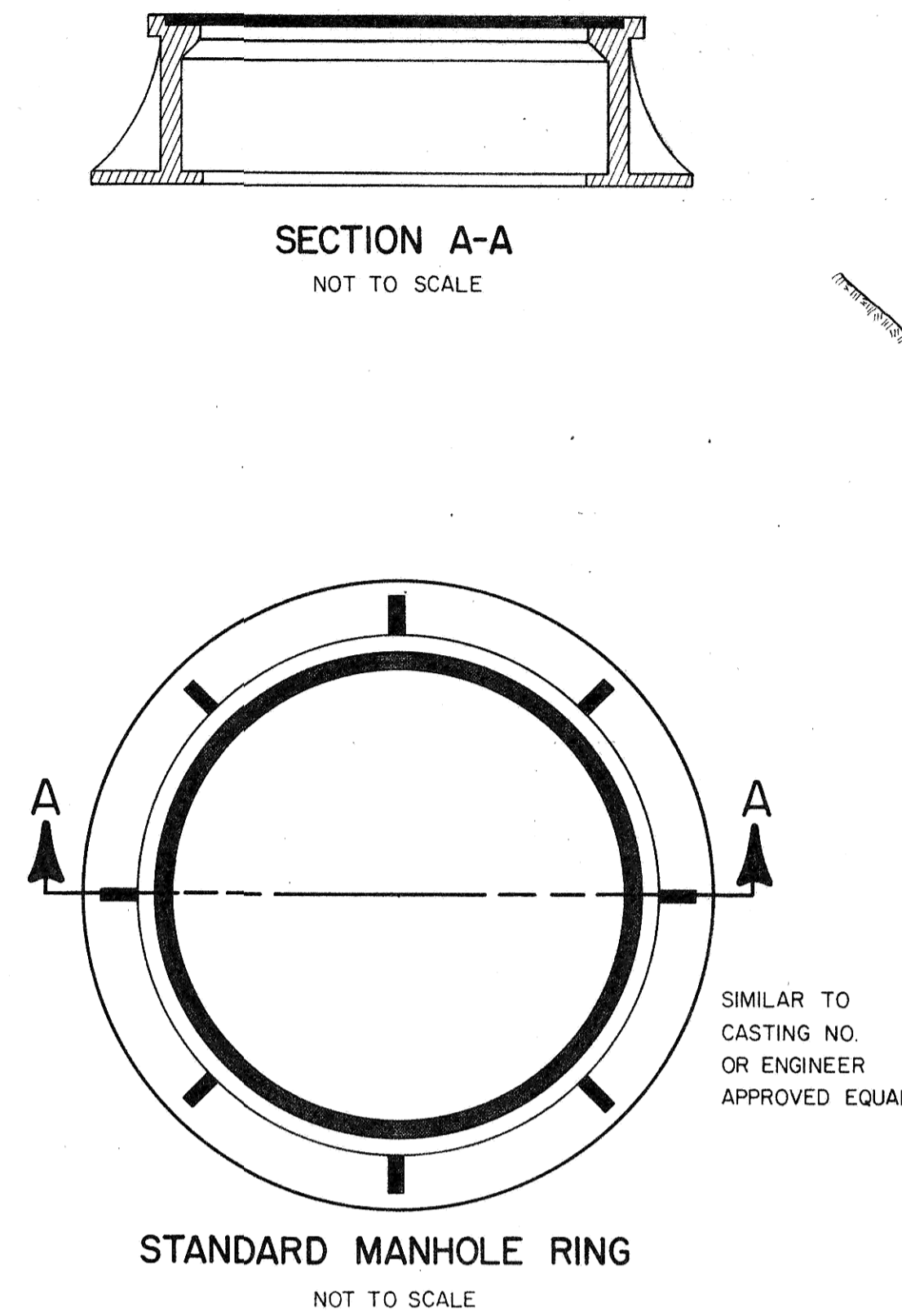


MANHOLES ARE TO BE MANUFACTURED IN ACCORDANCE WITH ASTM SPECIFICATION C-478-73

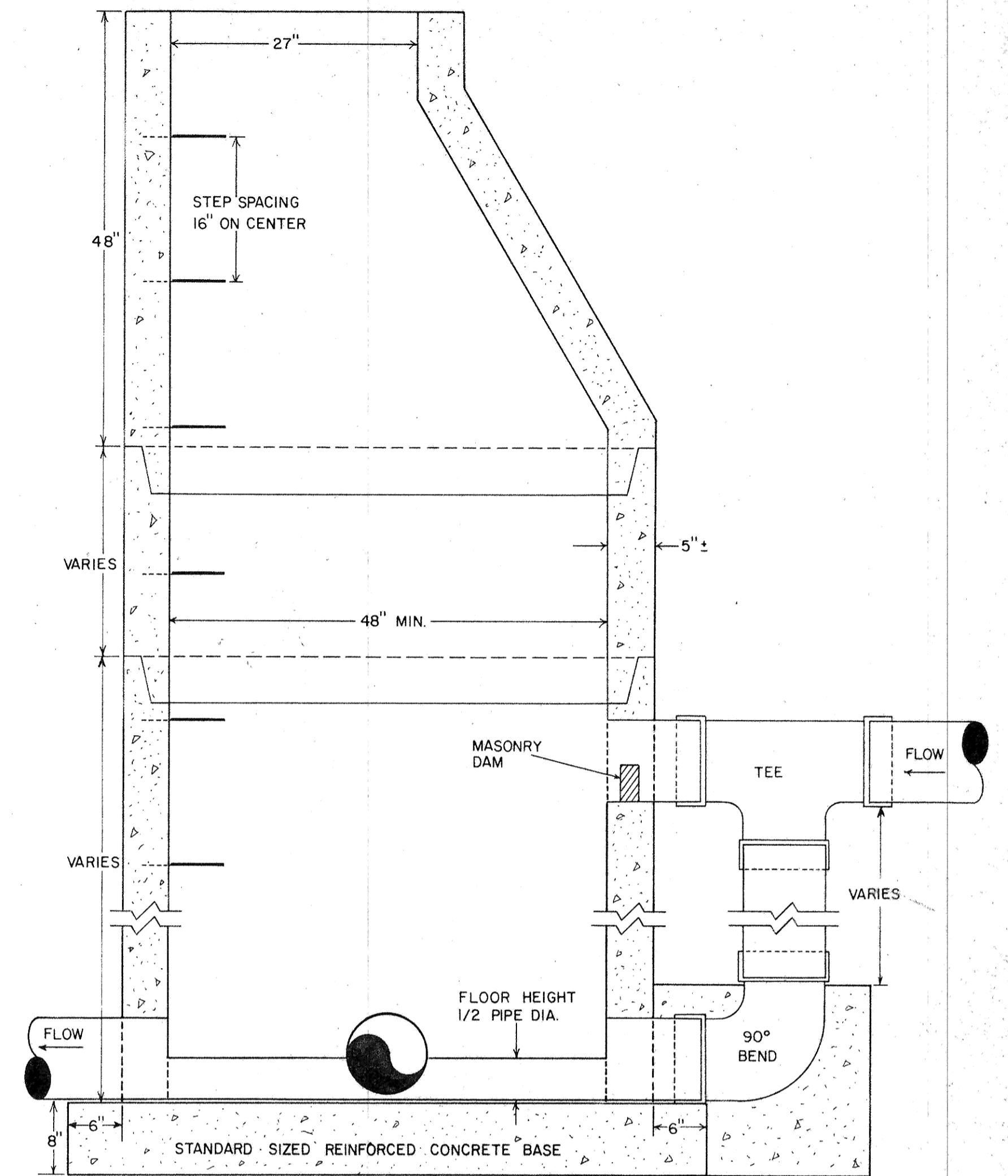
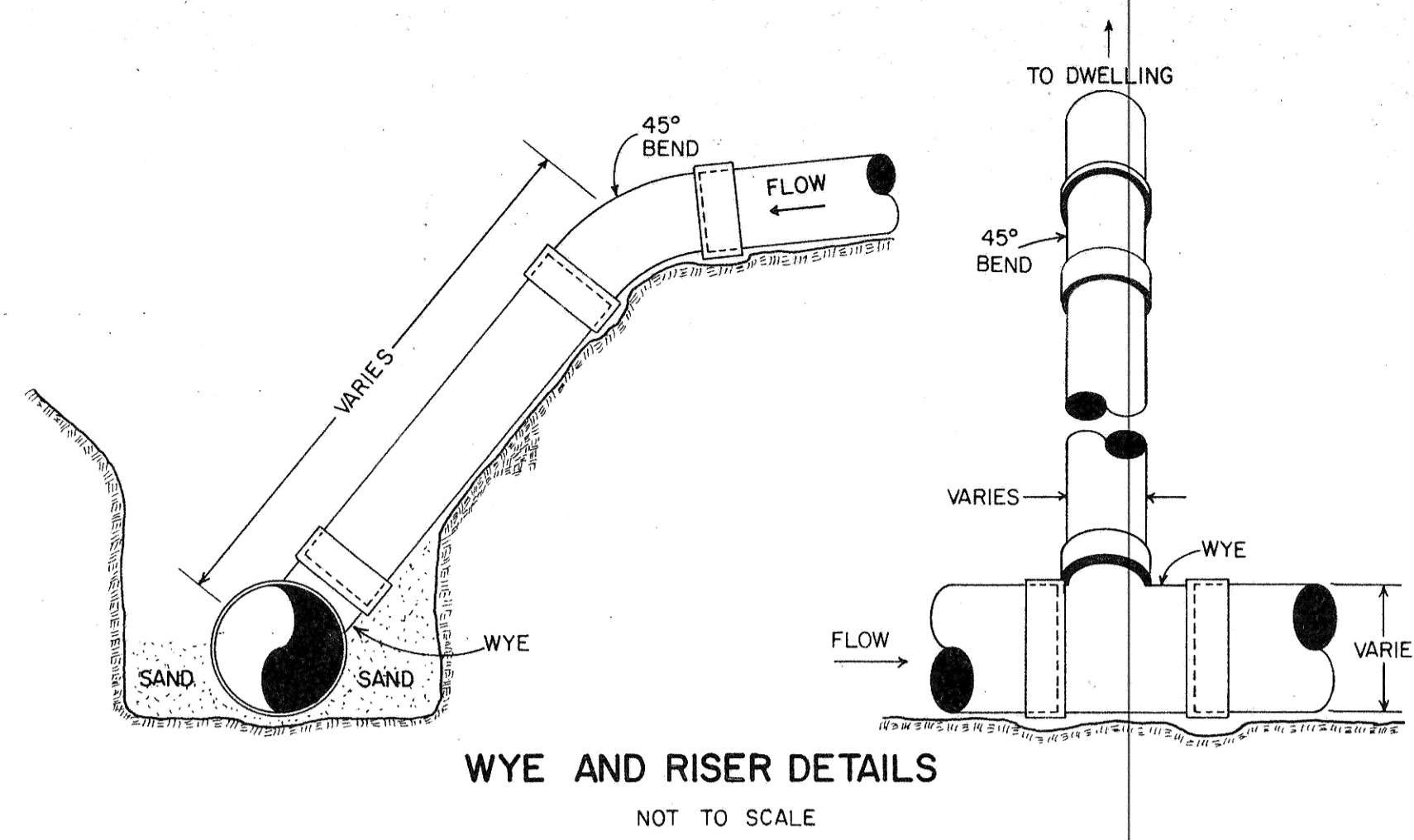
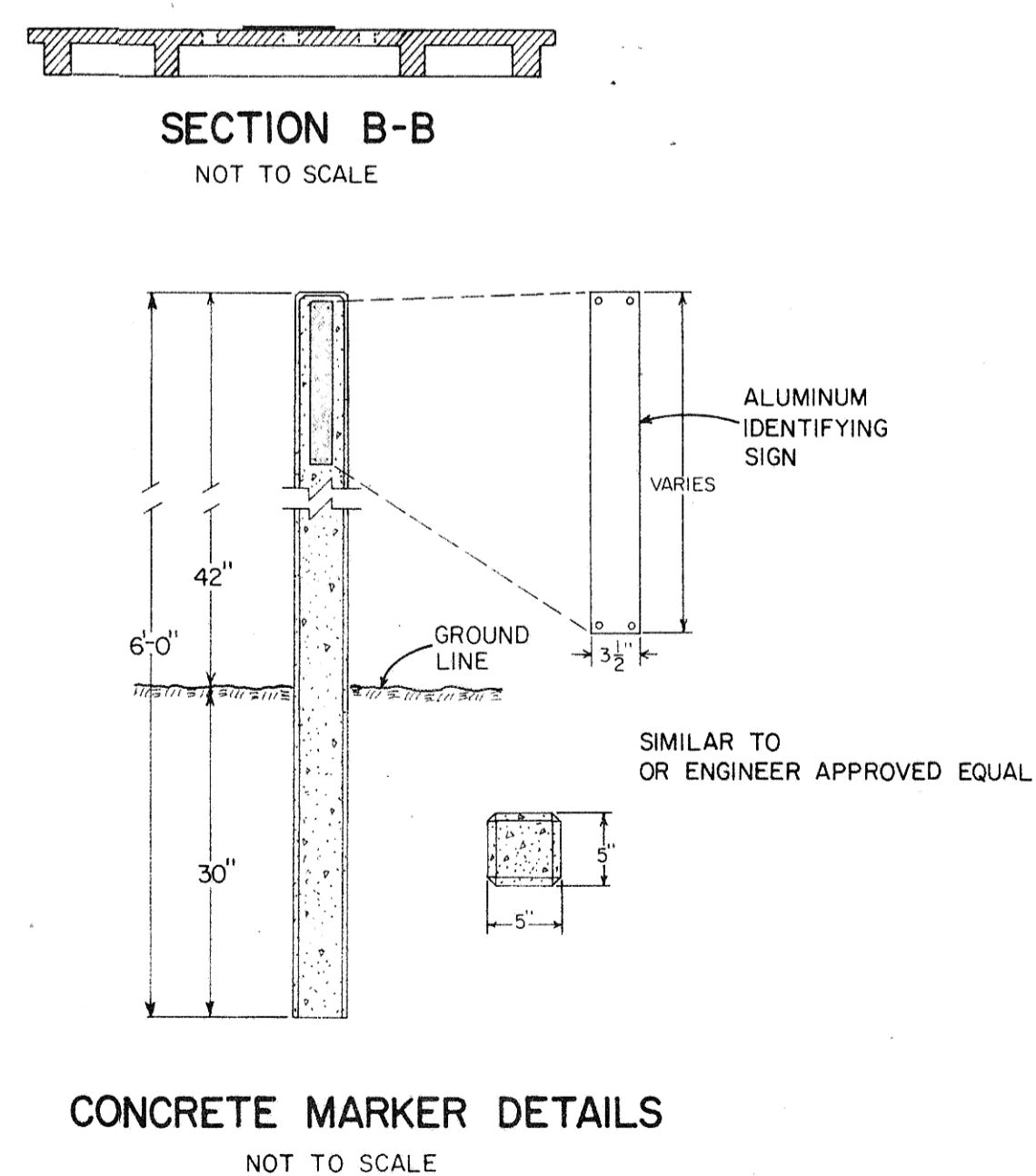
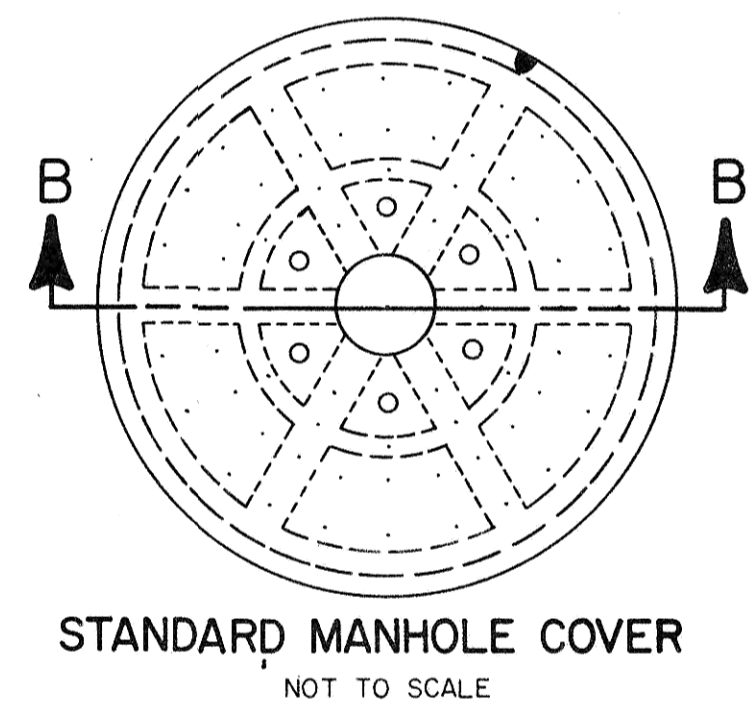
ALL MANHOLES ARE TO HAVE ECCENTRIC CONES

ALL MANHOLE SECTION JOINTS TO BE SEALED WITH KENT SEALER

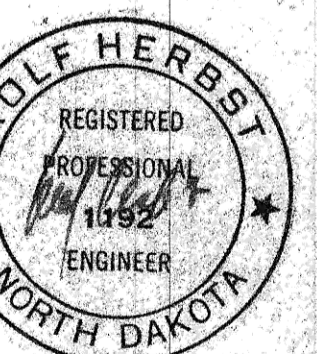
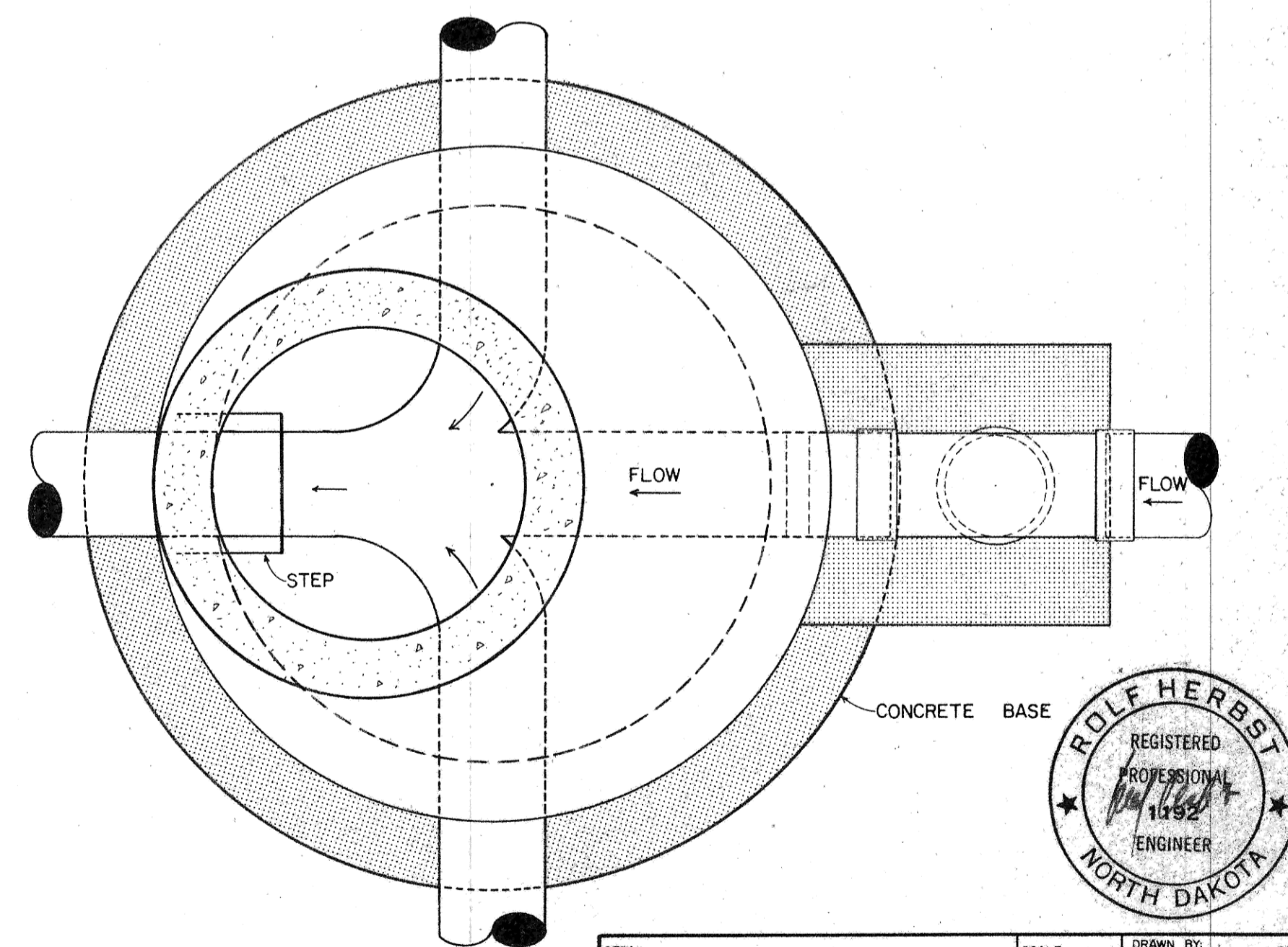
MANHOLE FLOORS SHALL SLOPE 1/2" PER FOOT



SIMILAR TO CASTING NO. OR ENGINEER APPROVED EQUAL



TYPICAL DROP OR JUNCTION MANHOLE
SCALE: 1" = 1'-0"



DETAIL:	MANHOLE & SEWERMAIN DETAILS	SCALE:	AS SHOWN	DRAWN BY:	JW	1-78
APPROVED BY:						
TOMAN ENGINEERING CO.						
Engineering and Environmental Consultants — Mandan, N.D. — Boissevain, Manitoba						
DATE:	PROJECT:	DRAWING NUMBER:				