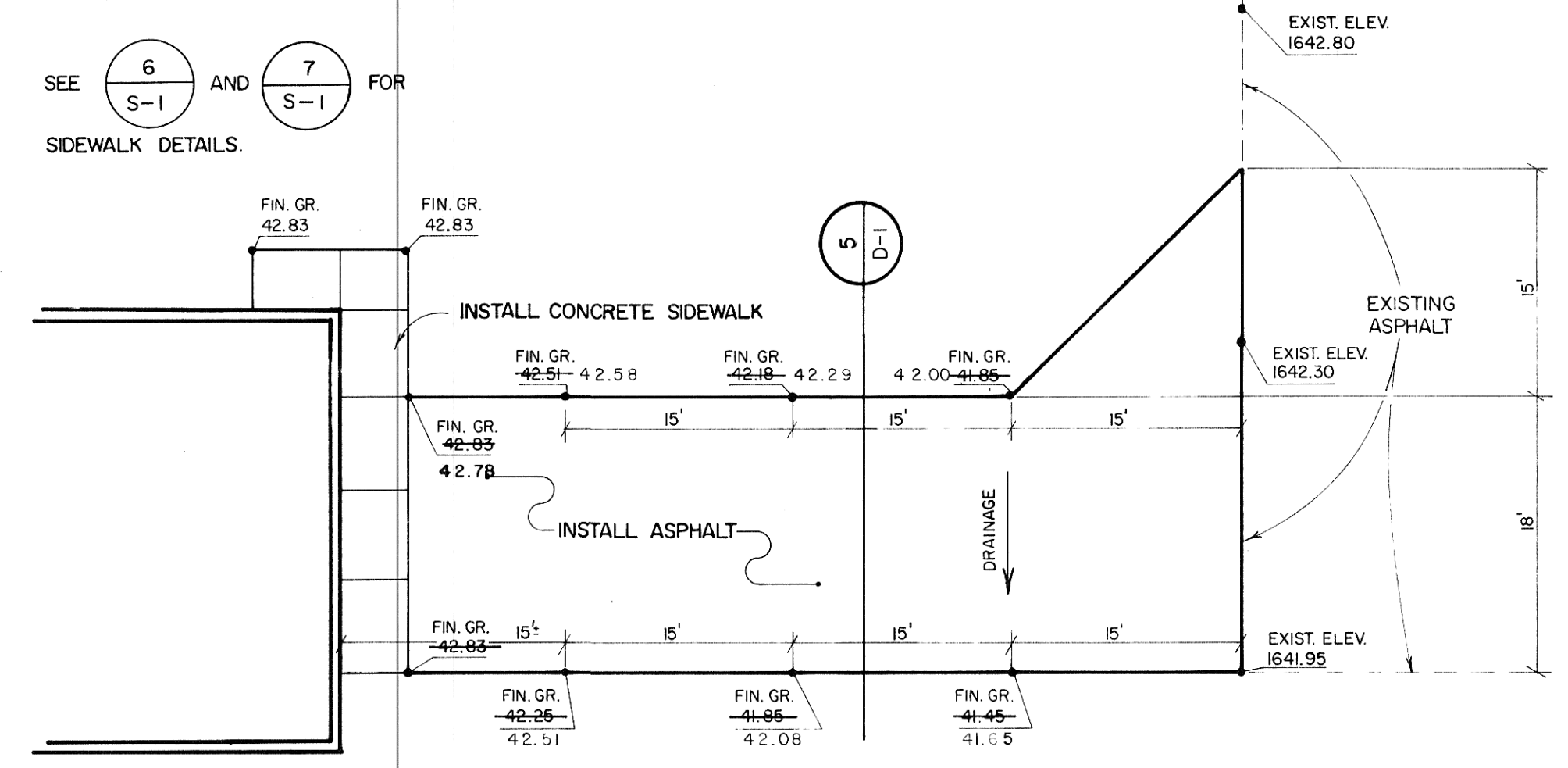
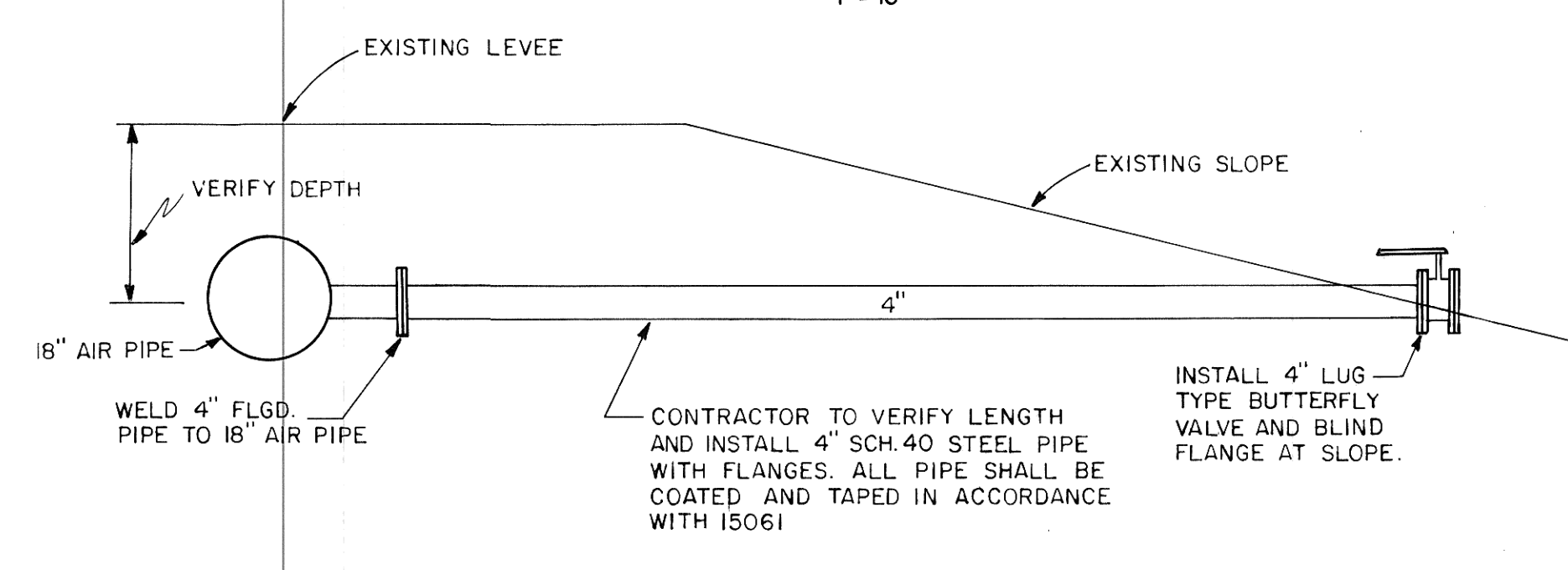


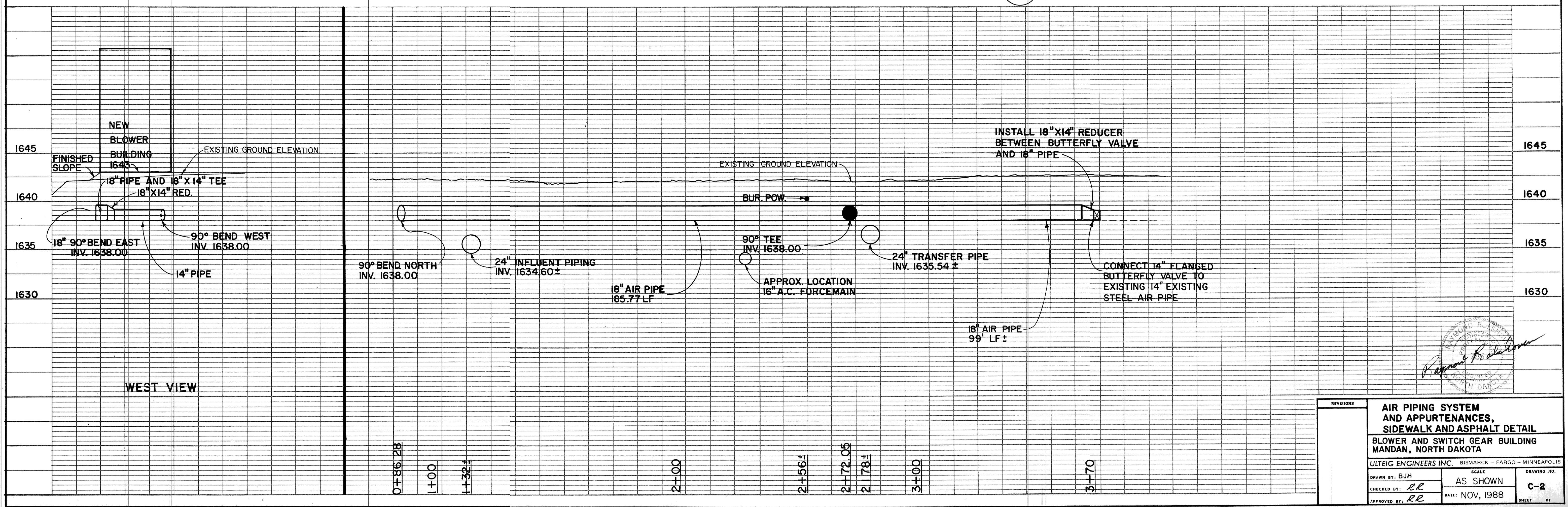
- NOTES:**
1. ALL 14" PIPE SHALL BE INCLUDED IN THE COST OF THE BLOWER BUILDING.
  2. THE FOLLOWING FITTINGS SHALL BE INCLUDED IN THE COST OF THE BLOWER BUILDING:
    - a. 14" 90° BEND - 1EA.
    - b. 18" X 14" RED. - 1EA.
    - c. 18" X 18" X 14" TEE - 1EA.
  3. THE FOLLOWING FITTINGS SHALL BE INCLUDED IN THE COST OF THE 18" PIPE:
    - a. 18" 90° BEND - 1EA.
    - b. 18" X 14" RED. - 2EA.
    - c. 18" TEE
    - d. 18" BLD. FLGE.
  4. INSTALL 2-1/4" FLANGED BUTTERFLY VALVES VALVE BOX AS SHOWN. END OF EXISTING PIPE MUST BE REMOVED.
  5. ELEVATION AND LOCATION OF EXISTING 14" PIPE MUST BE VERIFIED PRIOR TO CONSTRUCTION TO DETERMINE GRADE TO STA. 2+72.05.
  6. EVERY OTHER BOLT FOR BUTTERFLY VALVE SHALL BE STAINLESS STEEL.
  7. MAXIMUM FINISHED SLOPE ON SOUTH AND WEST SIDE OF BUILDING SHALL BE 4:1.
  8. ALL EXCAVATION FOR SIDEWALK, ASPHALT AND GRAVEL BASE SHALL BE INCIDENTAL TO THE BLOWER BUILDING COSTS.
  9. TRENCH DETAILS FOR AIR PIPE SHALL BE SIMILAR TO DETAIL 4 (D-1) WITH THE FOLLOWING EXCEPTION: A. NO CAUTION TAPE REQ'D.



**PLAN VIEW - ASPHALT PAVEMENT AND CONCRETE SIDEWALK**



**1 TYPICAL 4" AIR PIPING INSTALLATION**



REVISIONS		AIR PIPING SYSTEM AND APPURTENANCES, SIDEWALK AND ASPHALT DETAIL	
BLOWER AND SWITCH GEAR BUILDING MANDAN, NORTH DAKOTA			
ULTEIG ENGINEERS INC. BISMARCK - FARGO - MINNEAPOLIS		DRAWING NO. C-2	
DRAWN BY: BJH	SCALE: AS SHOWN	DATE: NOV, 1988	
CHECKED BY: <i>ll</i>	APPROVED BY: <i>ll</i>	SHEET OF	