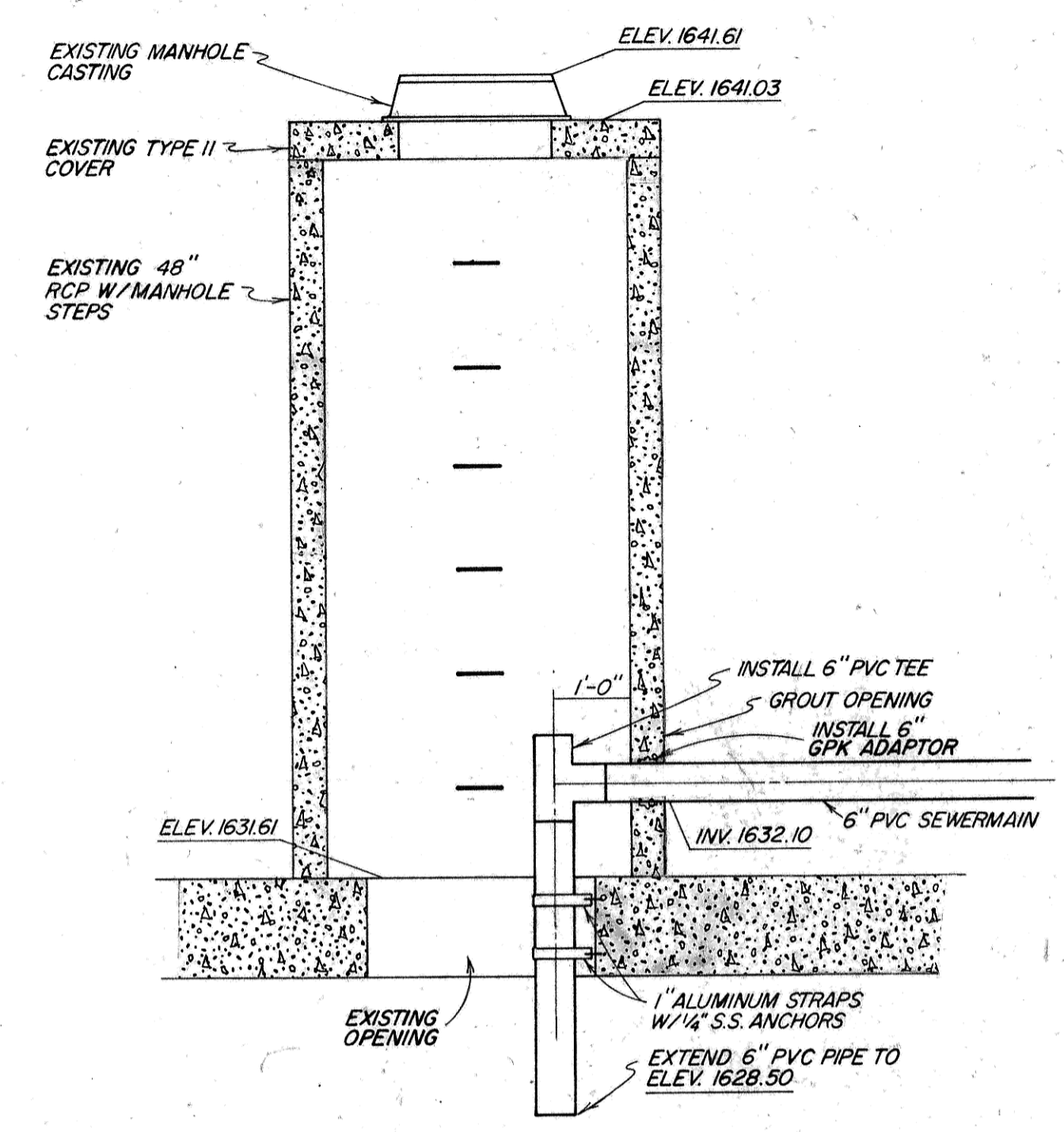
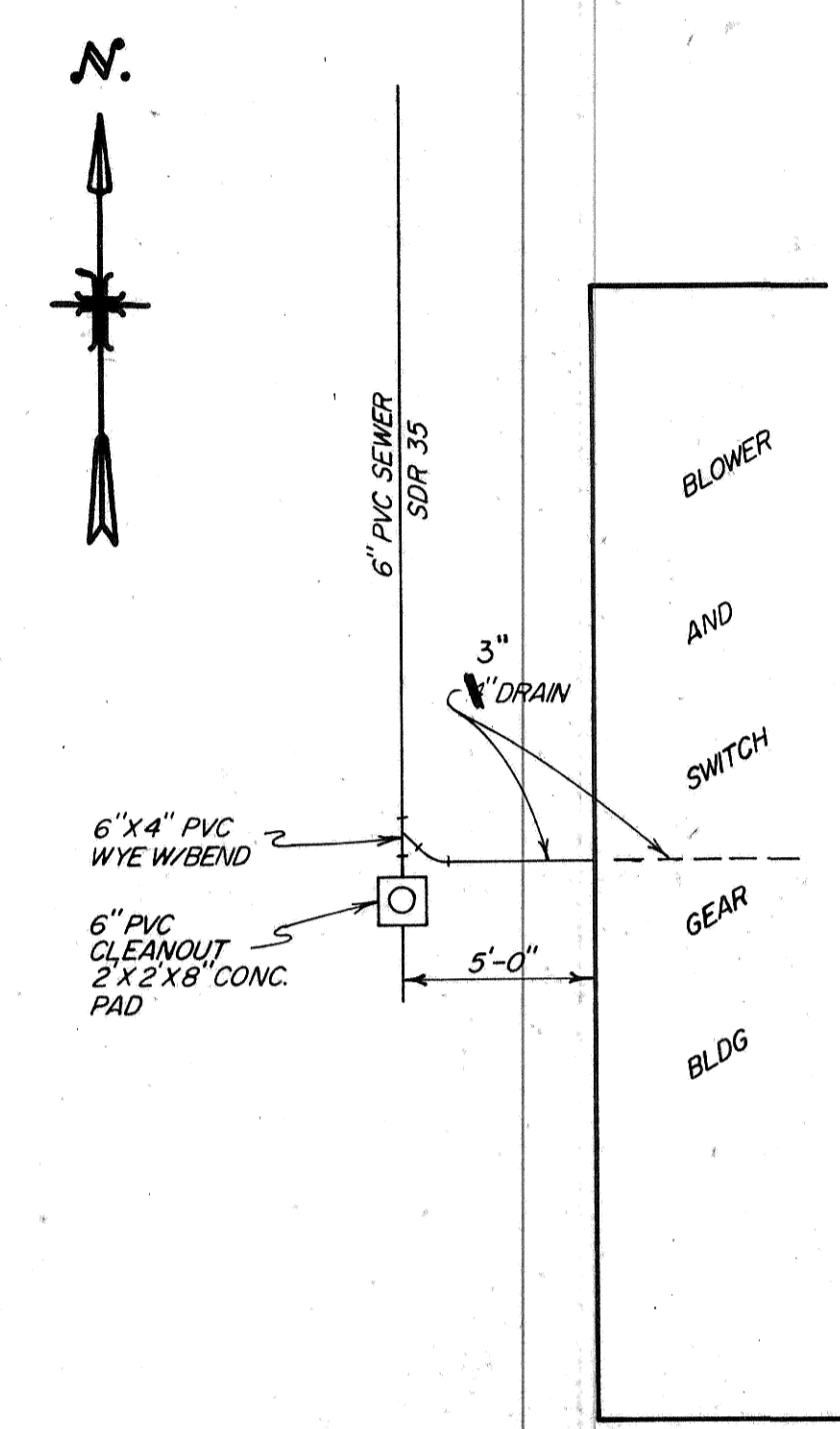


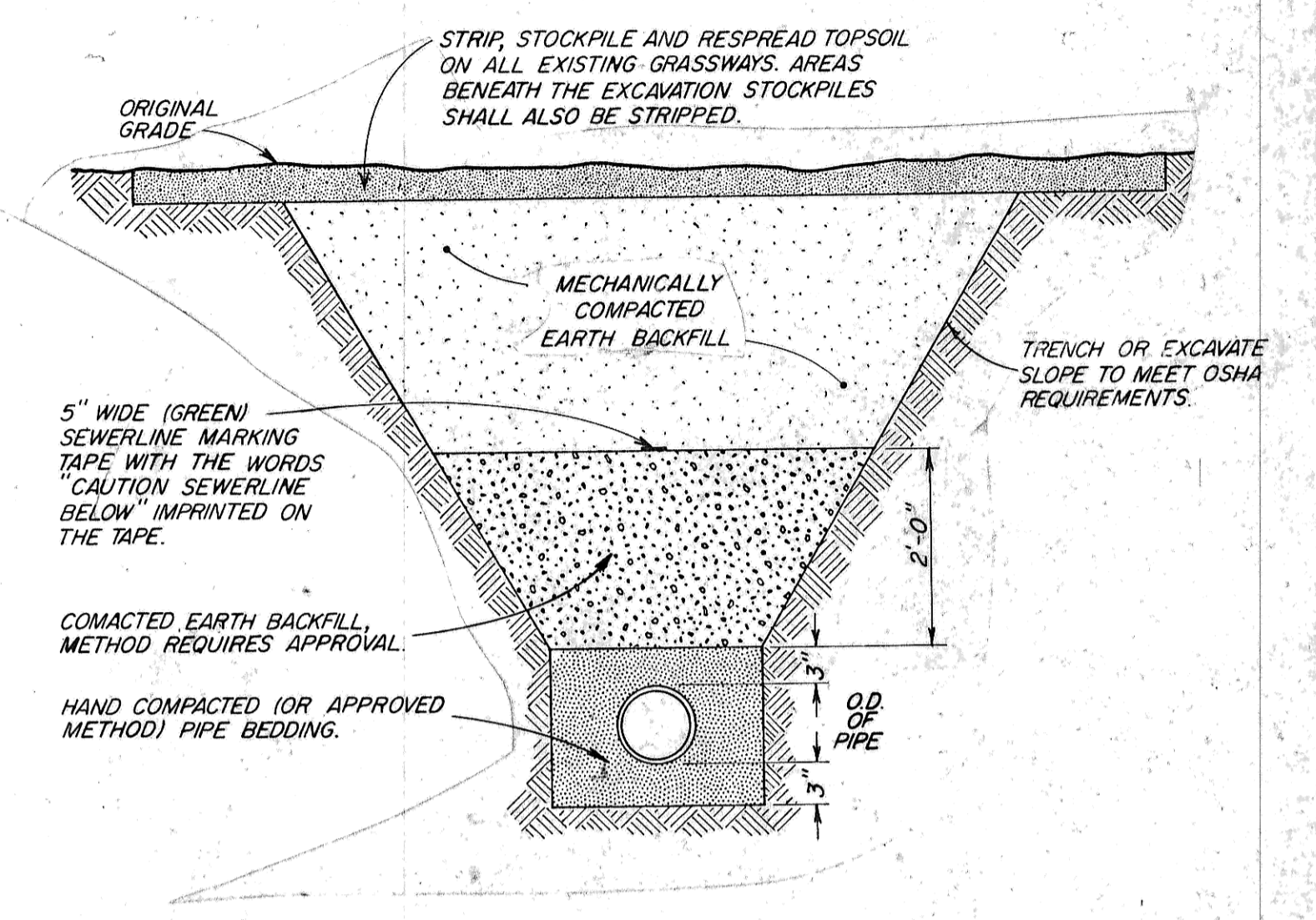
1 TYP. DISCHARGE SILENCER LAYOUT  
D-1  
1/2" = 1'-0"



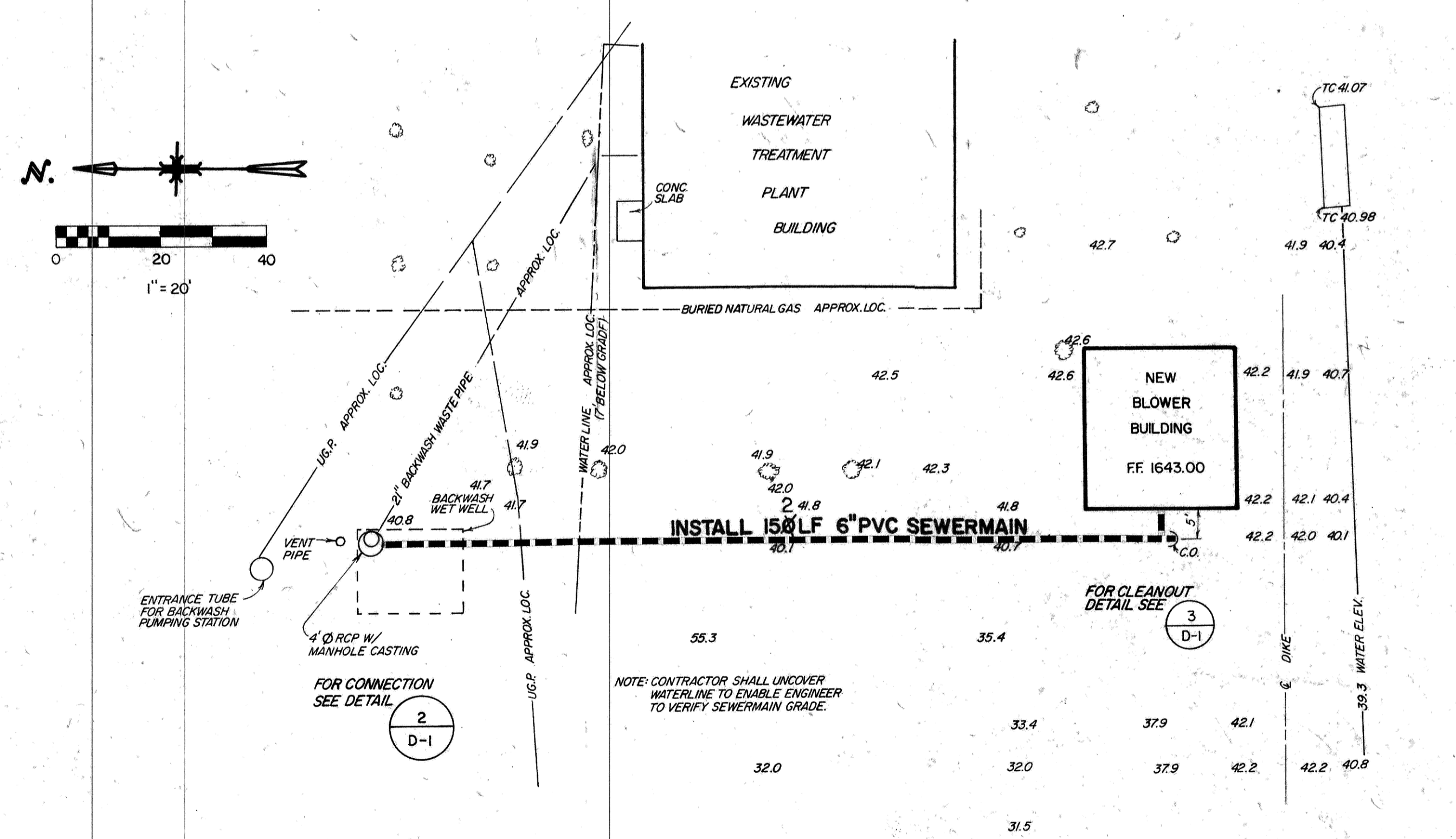
2 CONNECTION DETAIL-BACKWASH WET WELL MANHOLE  
D-1  
1/2" = 1'-0"



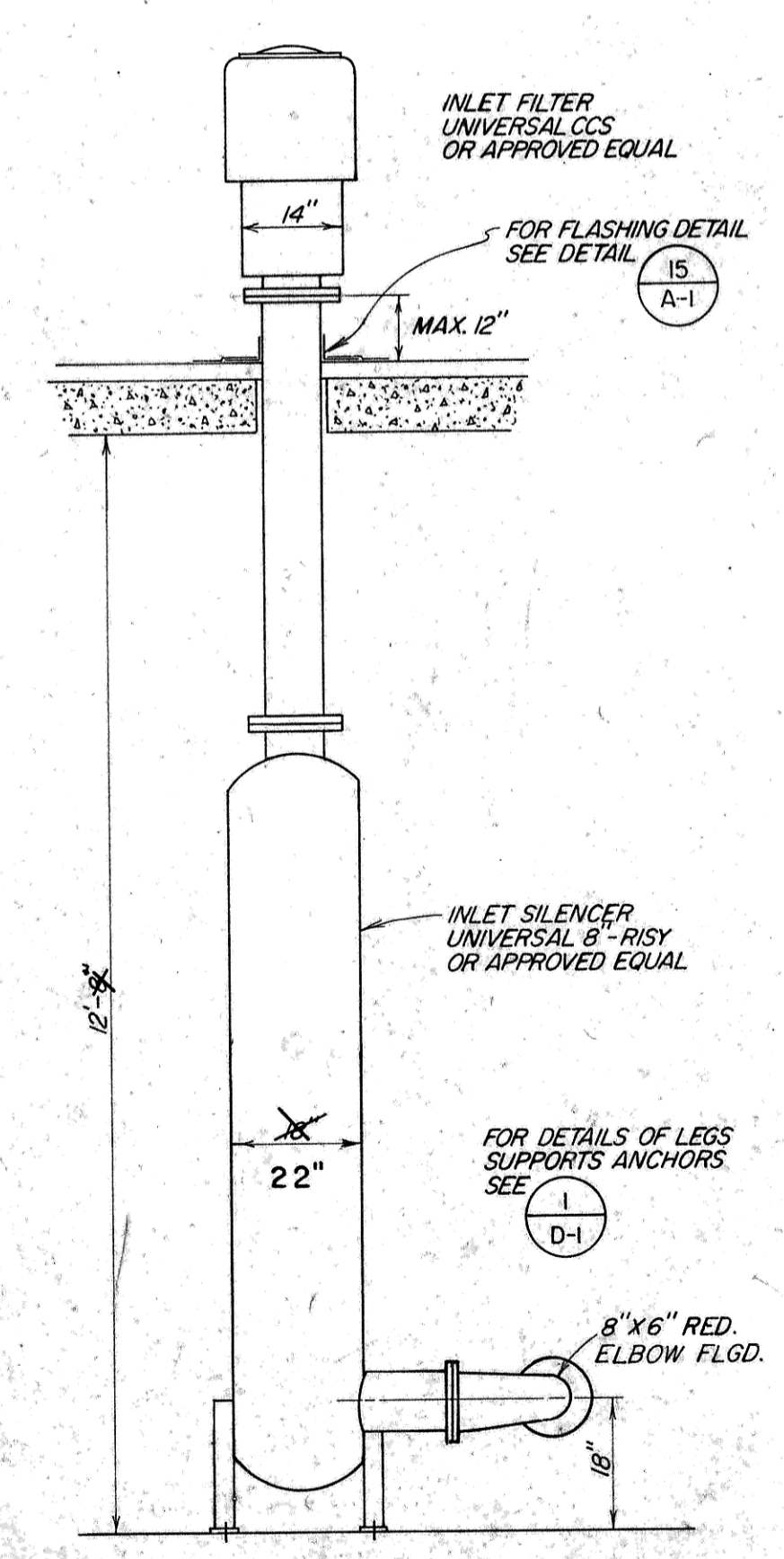
3 CLEANOUT DETAILS  
D-1  
1" = 5'-0"



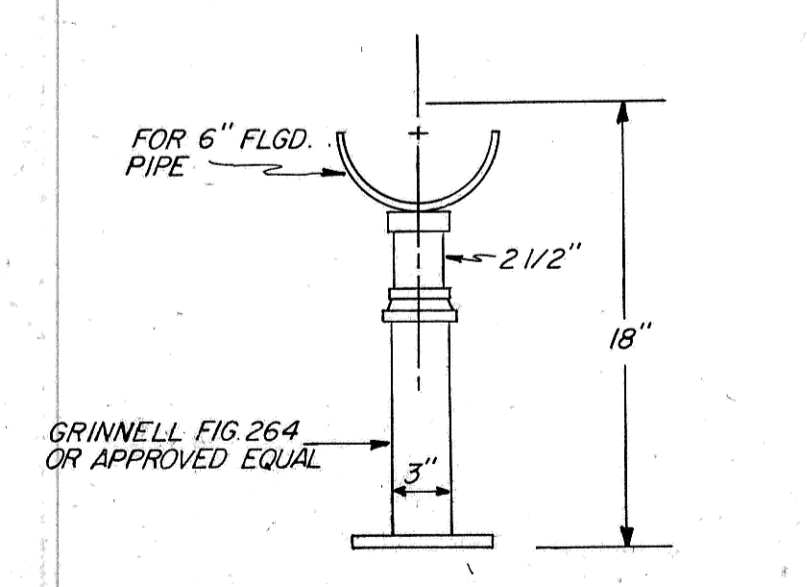
4 SEWERMAIN TRENCH DETAIL  
D-1  
NOT TO SCALE



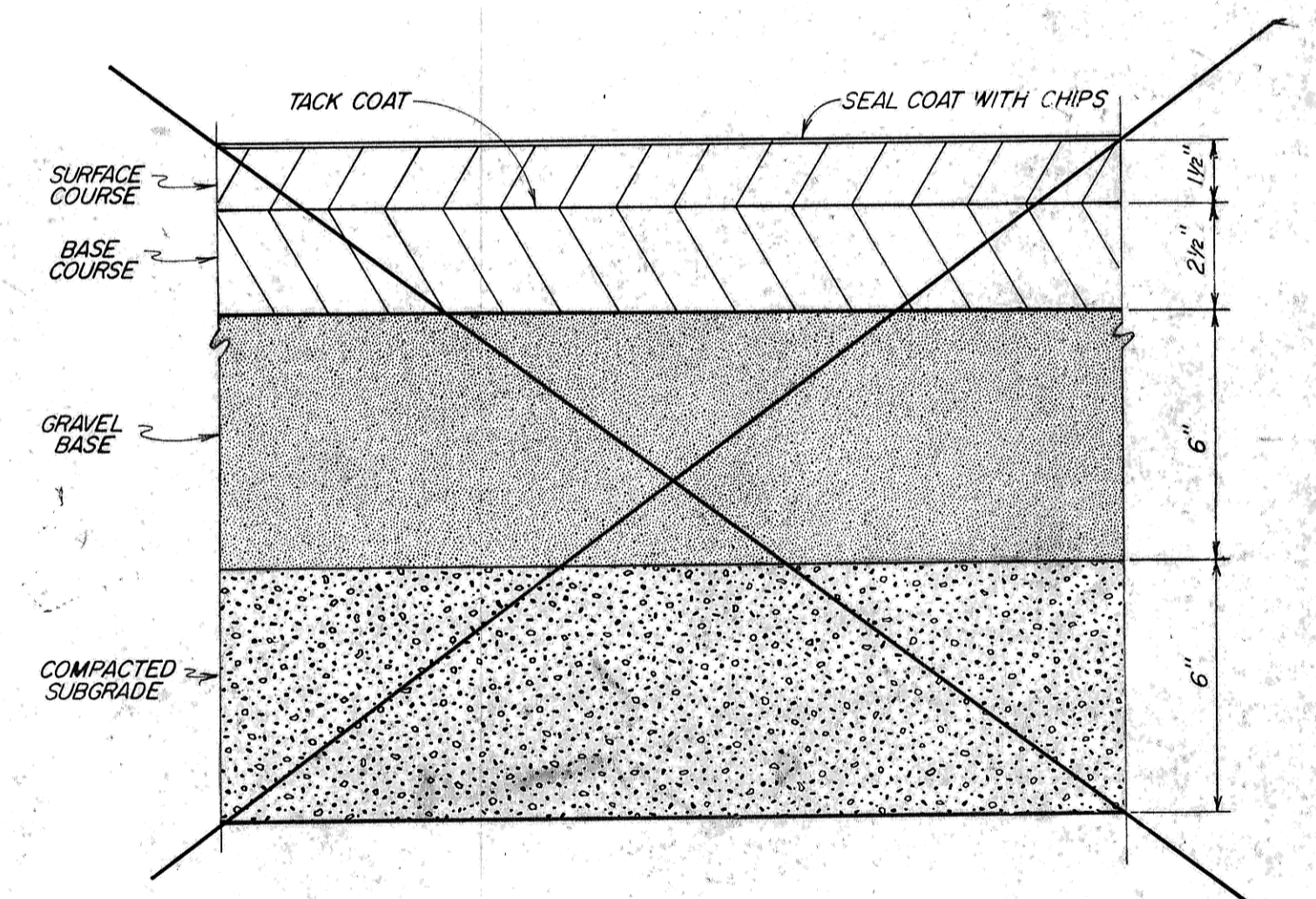
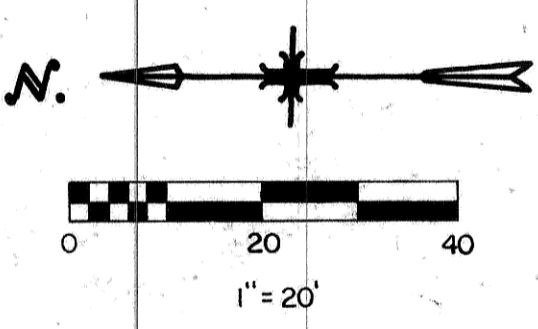
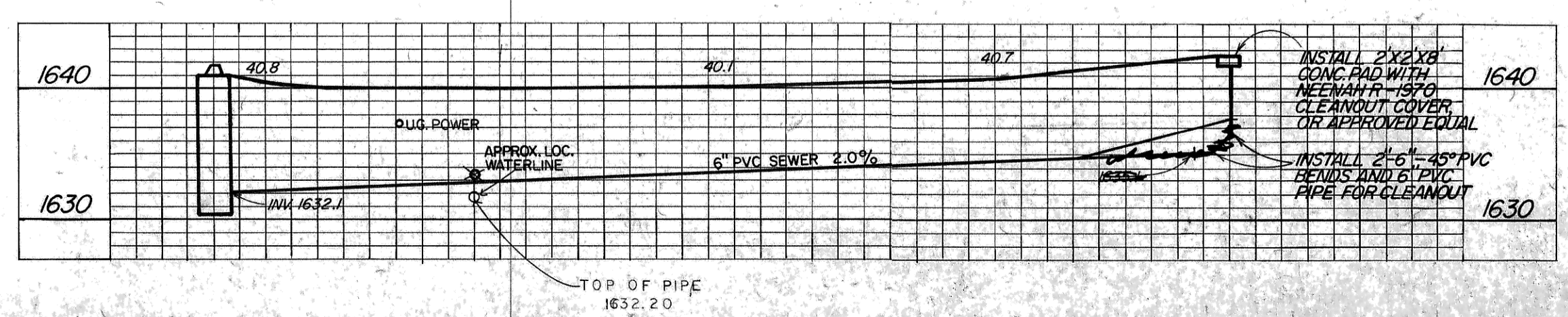
5 ASPHALT PAVEMENT DETAIL  
D-1  
NOT TO SCALE



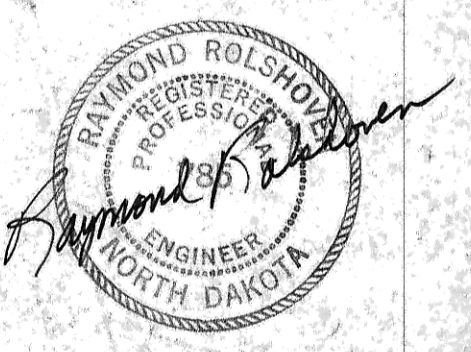
6 TYP. INLET SILENCER LAYOUT  
D-1  
1/2" = 1'-0"



7 ADJUSTABLE PIPE SUPPORT  
D-1  
10 REQ'D.



Record Drawing



REV	DATE	DESCRIPTION	BY

**DETAILS**

**BLOWER AND SWITCH GEAR BUILDING**  
MANDAN, NORTH DAKOTA

**ULTEIG ENGINEERS, INC.** CONSULTING ENGINEERS • FARGO • BISMARCK • MINNEAPOLIS

DRAWN BY: BJH	SCALE: AS SHOWN	PROJECT NO. 88649
CHECKED BY: ER	DATE: NOV. 1988	SHEET D-1 of
APPROVED BY: ER		