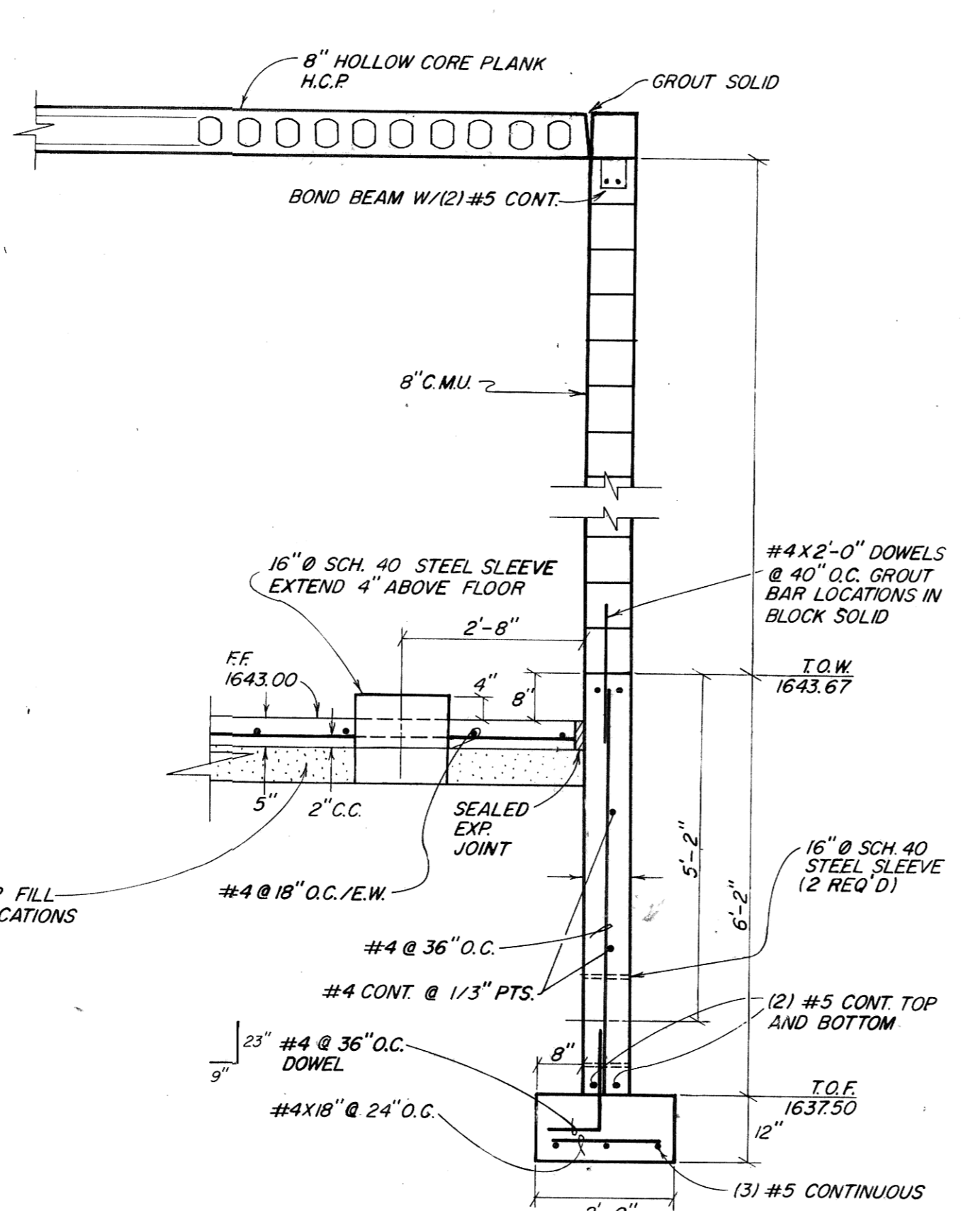
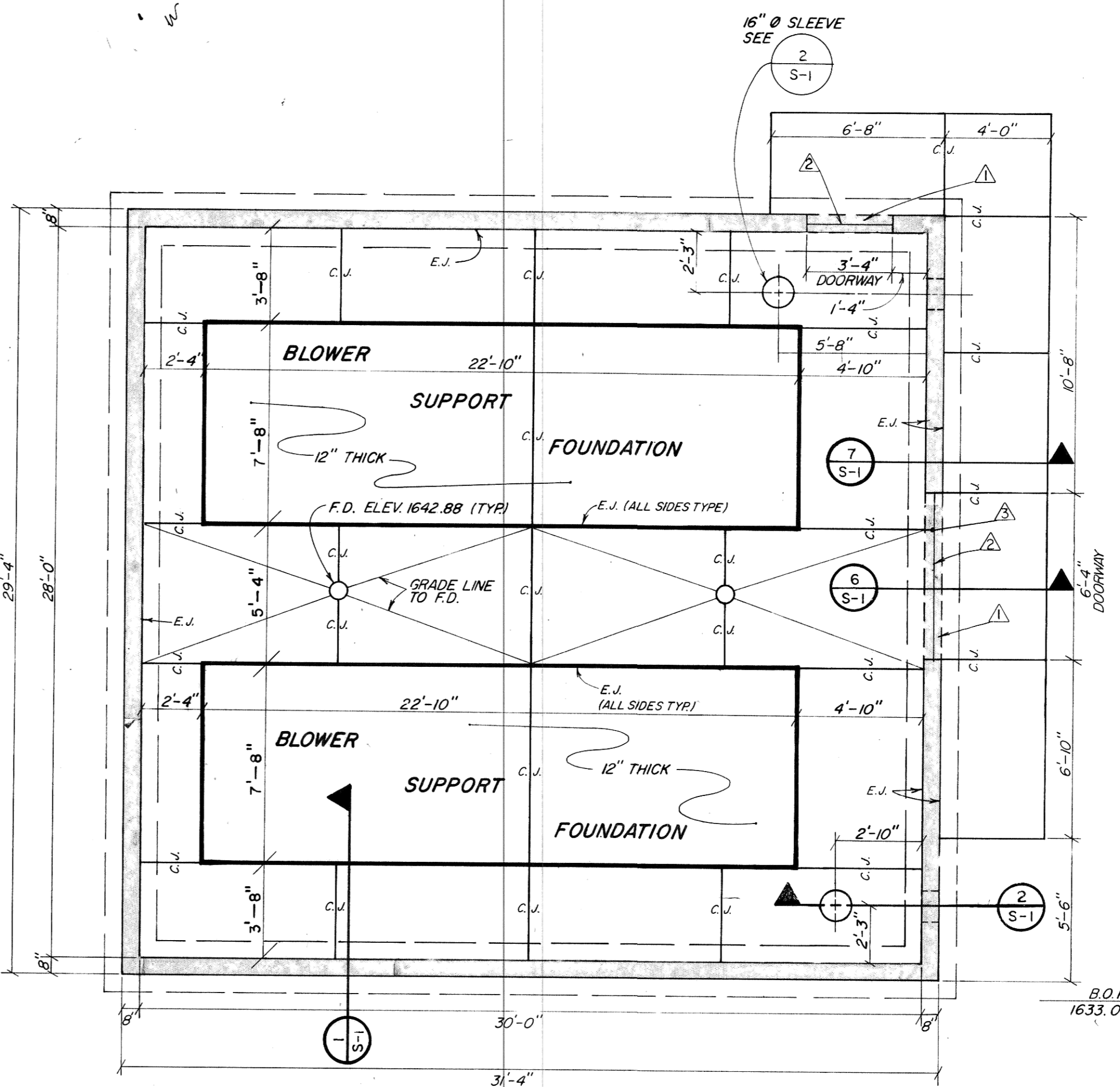


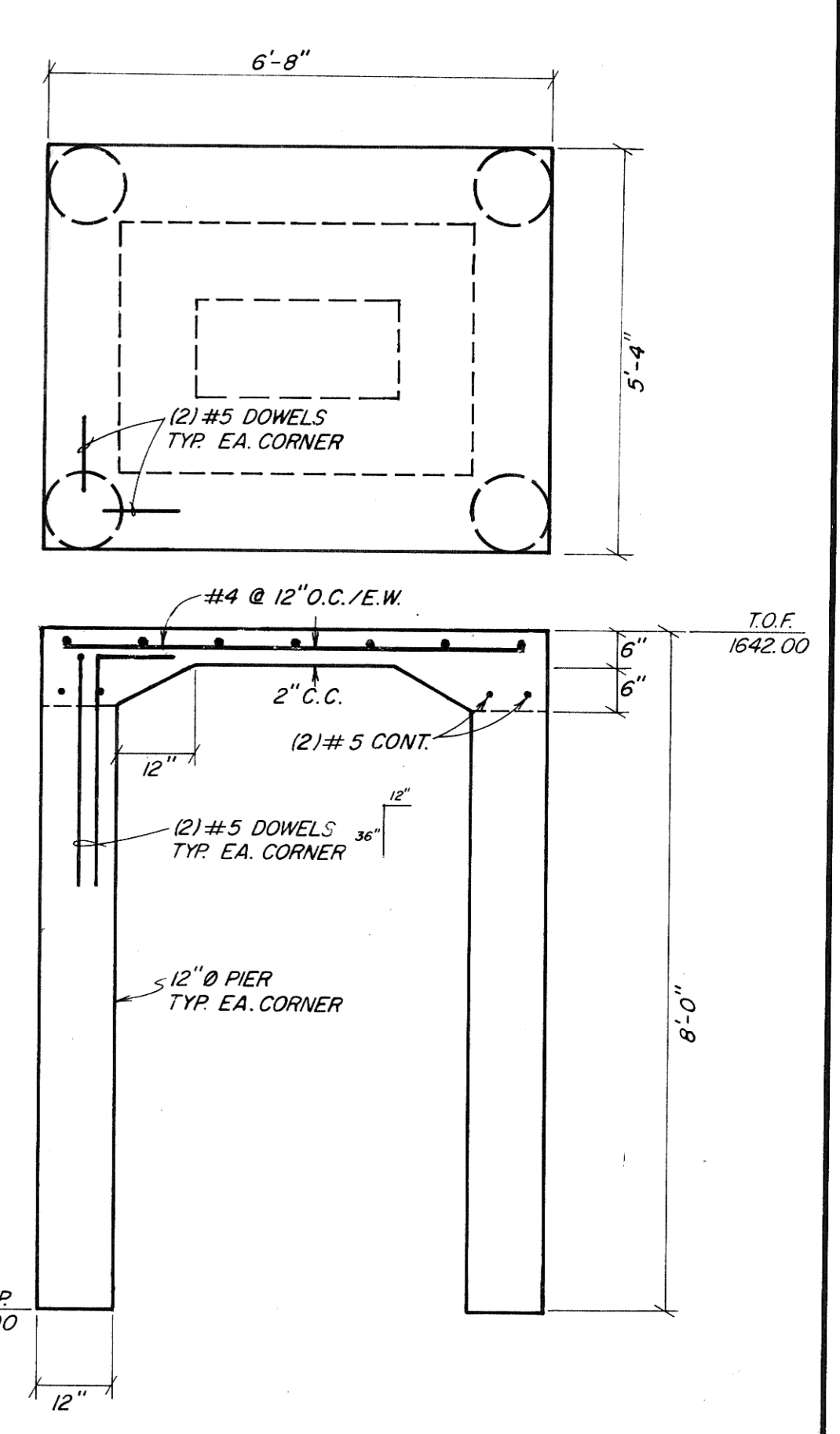
**1 BLOWER BLDG WALL SECTION**  
S-1  
1/2" = 1'-0"



**2 BLOWER BLDG WALL SECTION**  
S-1  
1/2" = 1'-0"



**BLOWER BLDG FOOTING/FOUNDATION PLAN**  
F.F.1643.00  
1/4" = 1'-0"



**8 AERATOR CONTROL BLDG FOUNDATION PLAN**  
S-1  
1/2" = 1'-0"

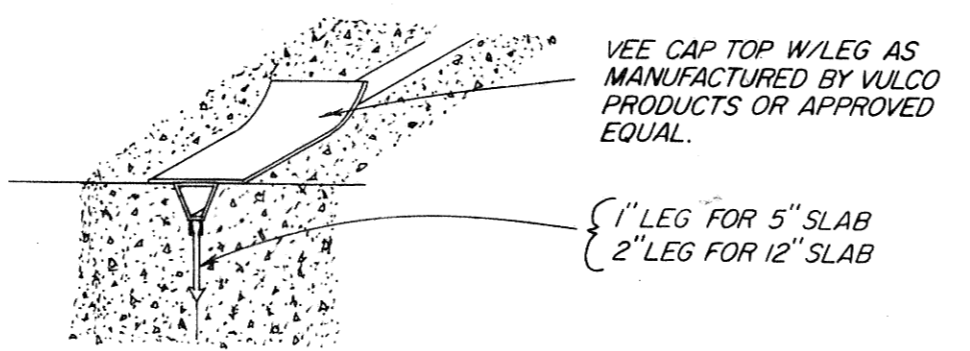
**STRUCTURAL NOTES**

- Concrete:**
- All cast in place concrete shall have a 28 day compressive strength of 4000 PSI.
  - Concrete construction shall conform to the ACI Building Code requirements for reinforced concrete, ACI 318.
  - All concrete reinforcing shall meet ASTM specification A615, Grade 60.
  - Splices in rebar are to lap 30 diameters unless noted or 12" minimum. Lap all corner bars in walls and footings.
  - Provide adequate support bars and accessories to hold all rebar firmly in place.
  - Concrete cover for rebar  
Footings.....3"  
Walls.....2"  
Slabs.....2"

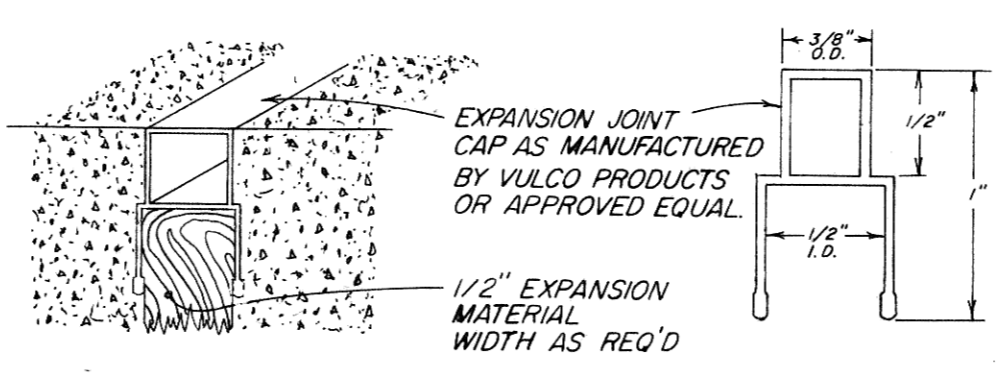
**Foundations**

- All footings shall bear on natural undisturbed soil. All bearing material shall be approved by Engineer or his representative prior to placing footing concrete.
- Protect all foundation from the action of water and freezing.

\* NOTE: All control joints and expansion joints shall be properly prepared and sealed. Joints shall be sealed with Sonneborn NP1 (Limestone) or approved equal, joints to be primed prior to sealant application.



**4 CONTROL JOINT DETAIL**  
S-1



**5 EXPANSION JOINT DETAIL**  
S-1

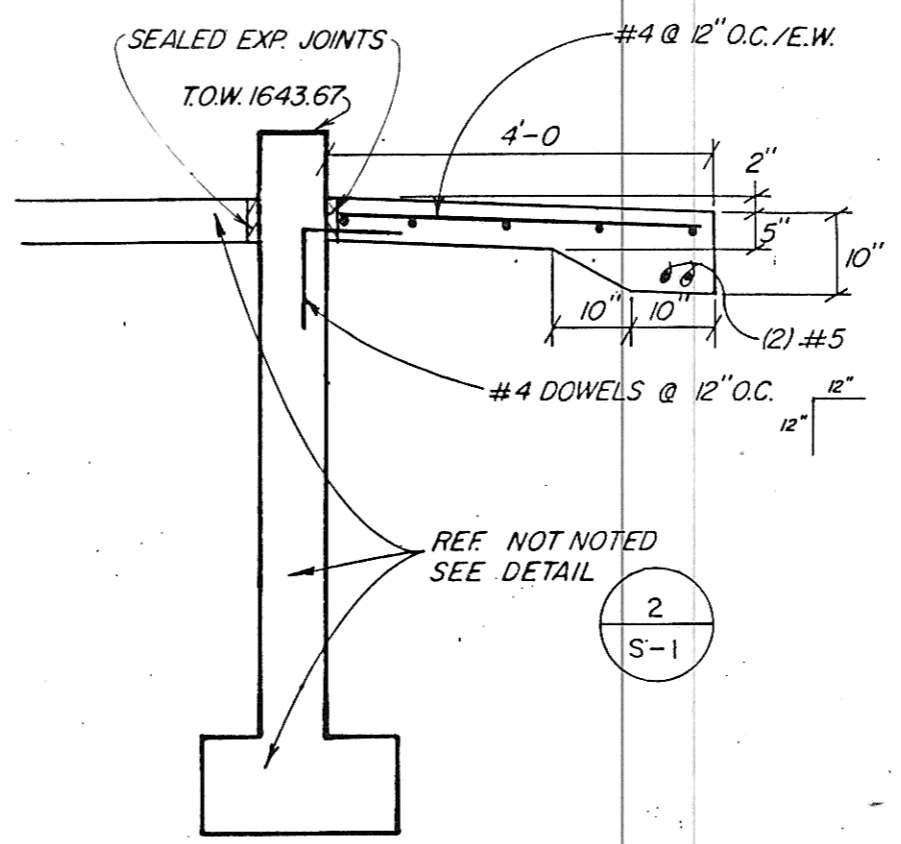
▲ DEPRESS TOP OF FOUNDATION FOR SLAB AT DOORWAY

C.J. - CONTROL JOINT SEE 4 S-1

E.J. - EXPANSION JOINT SEE 5 S-1

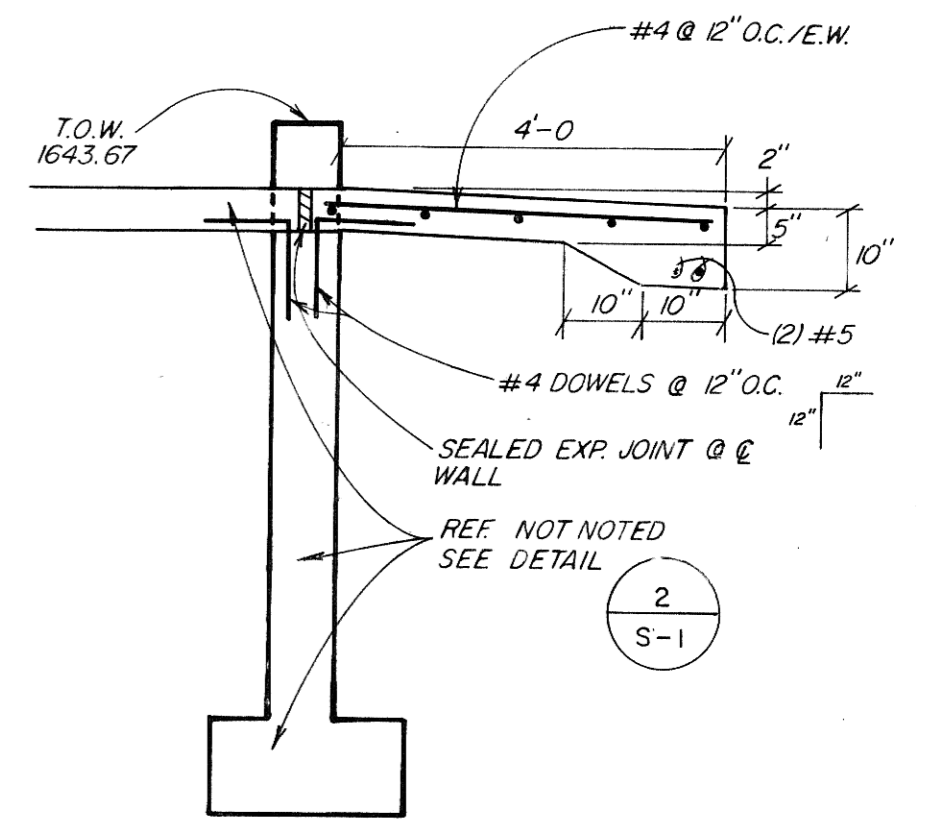
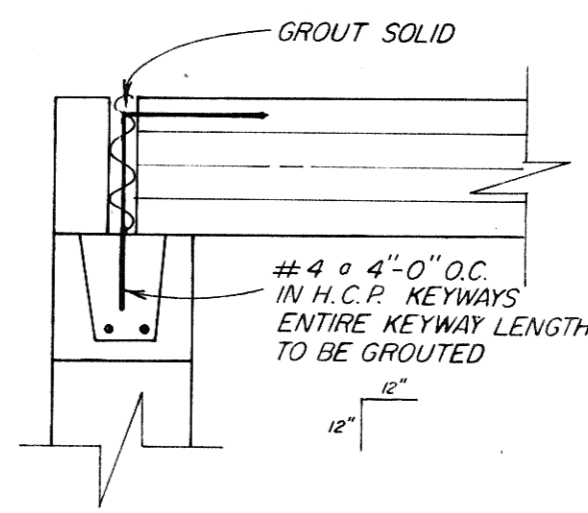
▲ INSTALL E.J. ON WALL

▲ END C.J. AT E WALL



**3 H.C.P. CONNECTION**  
S-1  
1" = 1'-0"

**7 SIDEWALK DETAIL TYP.**  
S-1  
1/2" = 1'-0"



**6 SIDEWALK DETAIL @ DOORWAY**  
S-1  
1/2" = 1'-0"

Record Drawing

REV	DATE	DESCRIPTION	BY

**STRUCTURAL PLAN AND DETAILS**

**BLOWER AND SWITCH GEAR BUILDING**  
MANDAN, NORTH DAKOTA

**ULTEIG ENGINEERS, INC.** CONSULTING ENGINEERS • FARGO • BISMARCK • MINNEAPOLIS

DRAWN BY: BJH	SCALE: AS SHOWN	PROJECT NO. 88649
CHECKED BY: R/C	DATE: NOV. 1988	SHEET S-1 of
APPROVED BY: [Signature]		